

3 Drawer Dresser

Dimensions 38" w x 34 1/2" h x 17 1/2" d

This Dresser is large with three roomy drawers for clothing or other storage. Shown here in pre-finished, caramelized, flat-grain bamboo PureBond® veneer core hardwood plywood.



Detail of dresser drawer assembly including drawer slides.

PLEASE READ AND FOLLOW ALL SAFETY PRECAUTIONS NOTED ON PAGE 11.

Columbia Forest Products is North America's largest manufacturer of hardwood plywood and hardwood veneer, a leader in sustainable forestry, and innovator of soy-based formaldehyde-free PureBond® technology.

EASY SPECIAL ORDER*:

Stock items are available at most Home Depot stores. Don't see what you need on the shelves? Ask the Associates at the ProDesk for assistance to order **anything** you need: species like Cherry, Walnut, Maple or even exotics. Need a special thickness or an MDF or particleboard core? We can get it for you. **As little as 1 sheet**, shipped right to the store. (Ask the ProDesk Associate for lead times and pricing information.)

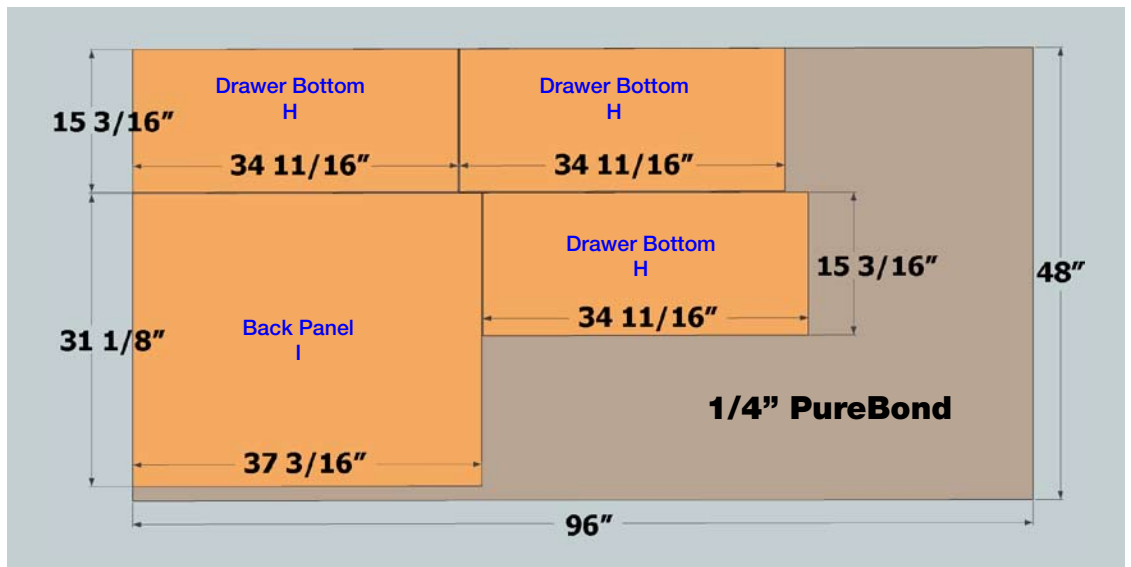
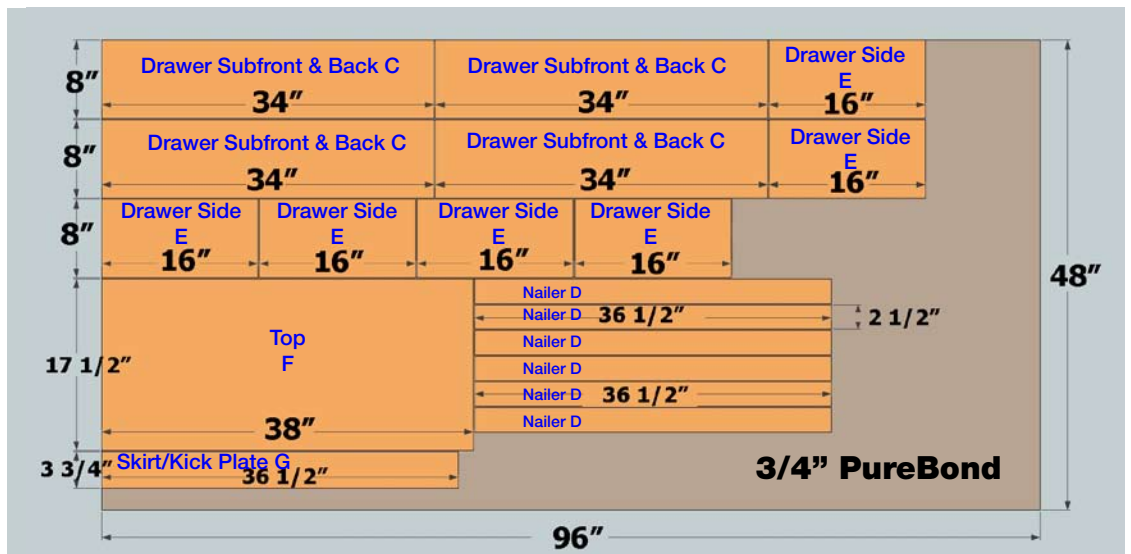
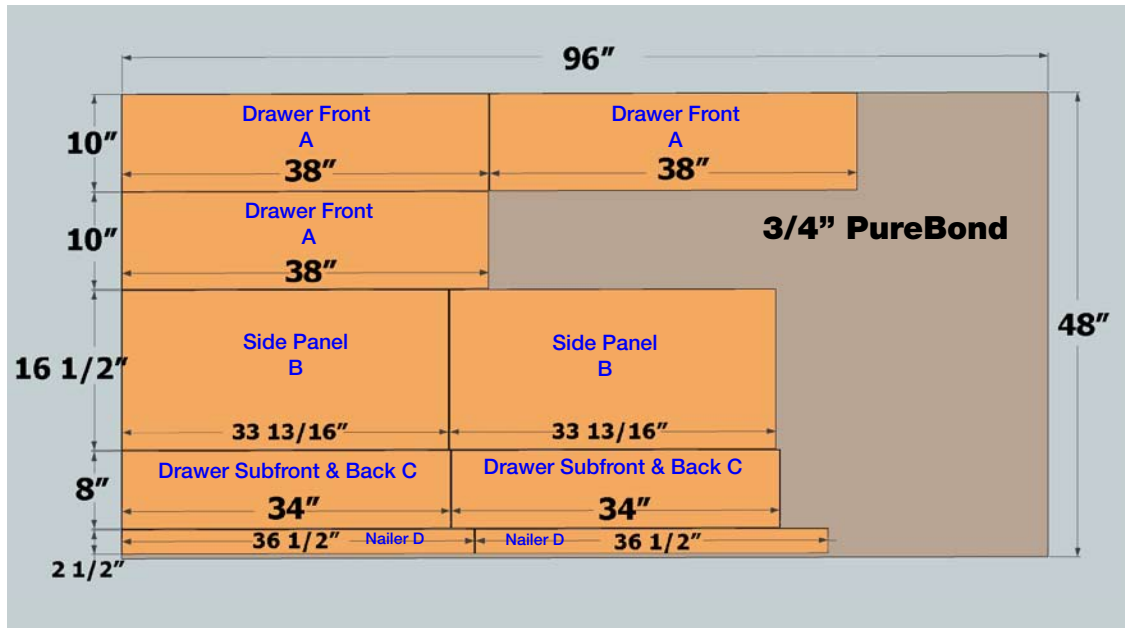
*At this time, PureBond® plywood is not stocked or offered through special order in The Home Depot stores in AZ, CO, ID, NM, NV, OR, UT, or WA.

Materials List

- 2 Sheets 3/4" thick 4x8' veneer core hardwood plywood
- 1 Sheet 1/4" thick 4x8' veneer core hardwood plywood
- 4 16" Drawer Slides (such as [Liberty European self-closing bottom mount D688](#) available at The Home Depot.)*
- 6 Nail-on Glides
- 1 Roll matching edgebanding (such as [BAND-IT iron on wood veneer edgebanding](#) available through special order at The Home Depot.)*
- 1 Pocket Hole Jig (such as [Kreg Jig Mini](#) available at The Home Depot.)*
- 1 Bottle wood glue
- Brads or small finishing nails

* Please follow the installation instructions of the slide and edging manufacturers.

3 Drawer Dresser - Cut List



PLEASE READ AND FOLLOW ALL SAFETY PRECAUTIONS NOTED ON PAGE 11.

Columbia Forest Products is North America's largest manufacturer of hardwood plywood and hardwood veneer, a leader in sustainable forestry, and innovator of soy-based formaldehyde-free PureBond® technology.

EASY SPECIAL ORDER*: Stock items are available at most Home Depot stores. Don't see what you need on the shelves? Ask the Associates at the ProDesk for assistance to order *anything* you need: species like Cherry, Walnut, Maple or even exotics. Need a special thickness or an MDF or particleboard core? We can get it for you. **As little as 1 sheet**, shipped right to the store. (Ask the ProDesk Associate for lead times and pricing information.)

*At this time, PureBond® plywood is not stocked or offered through special order in The Home Depot stores in AZ, CO, ID, NM, NV, OR, UT, or WA.

3 Drawer Dresser - Cut List

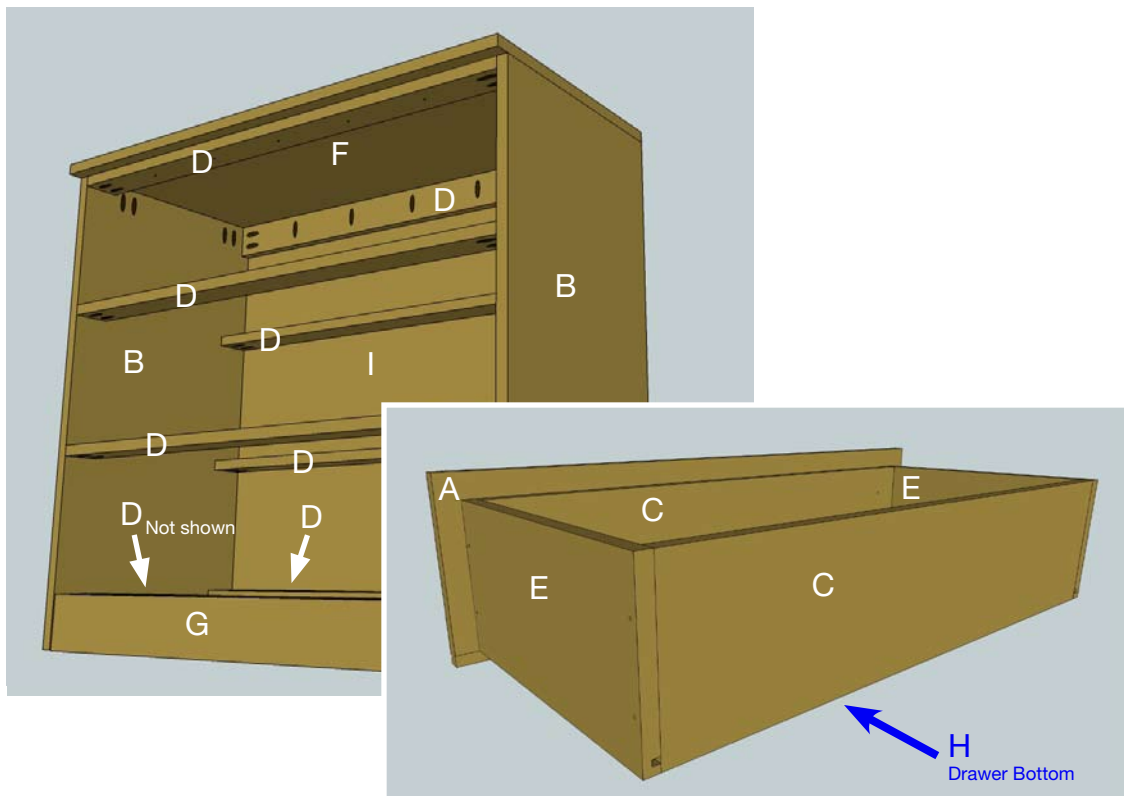
| 3/4" Sheet #1 | | | | | |
|---------------|---------------------------------|-----|----------|-----------|--|
| Reference | Component | QTY | Width | Length | Notes |
| A | Drawer Front | 3 | 10" | 38" | |
| B | Side Panel, Left & Right | 2 | 16 1/2" | 33 13/16" | Left & Right Panels Mirror (rabbet direction) |
| C | Drawer Body, Sub-Front and Back | 2 | 8" | 34" | Sub Front & Back same cuts. Front has holes drilled. |
| D | Nailer | 2 | 2 1/2" | 36 1/2" | |
| 3/4" Sheet #2 | | | | | |
| Reference | Component | QTY | Width | Length | Notes |
| E | Drawer Body Side | 6 | 8" | 16" | |
| C | Drawer Body, Sub-Front and Back | 4 | 8" | 34" | Sub Front & Back same cuts. Front has holes drilled. |
| D | Nailer | 6 | 2 1/2" | 36 1/2" | |
| F | Dresser Top | 1 | 17 1/2" | 38" | |
| G | Skirt/Kick Plate | 1 | 3 3/4" | 36 1/2" | |
| 1/4" Sheet | | | | | |
| Reference | Component | QTY | Width | Length | Notes |
| H | Drawer Bottom | 3 | 15 3/16" | 34 11/16" | |
| I | Back Panel | 1 | 31 1/8" | 37 3/16" | |
| Hardware | | | | | |
| | Component | QTY | | | Notes |
| | Kreg Screws | 54 | | | For pocket hole construction |
| | Nail-on Glides | 4 | | | For feet |
| | 16" Drawer Slides | 6 | | | Liberty Hardware, European Self Closing Bottom Mount, D688 Series Used |
| | Pulls, Knobs | 6 | | | |
| | Brads/small nails | | | | To attach back panel |

PLEASE READ AND FOLLOW ALL SAFETY PRECAUTIONS NOTED ON PAGE 11.

Columbia Forest Products is North America's largest manufacturer of hardwood plywood and hardwood veneer, a leader in sustainable forestry, and innovator of soy-based formaldehyde-free PureBond® technology.

EASY SPECIAL ORDER*: Stock items are available at most Home Depot stores. Don't see what you need on the shelves? Ask the Associates at the ProDesk for assistance to order **anything** you need: species like Cherry, Walnut, Maple or even exotics. Need a special thickness or an MDF or particleboard core? We can get it for you. **As little as 1 sheet**, shipped right to the store. (Ask the ProDesk Associate for lead times and pricing information.)

*At this time, PureBond® plywood is not stocked or offered through special order in The Home Depot stores in AZ, CO, ID, NM, NV, OR, UT, or WA.



3 Drawer Dresser - Instructions

Step 1 Cut and Drill Parts

- **Cut all Parts to overall size.** See Cut Lists on pages 2-3.
- **Assembly of this piece uses “pocket hole” construction.** Use a pocket hole jig such as [Kreg Jig Mini](#). Follow manufacturer’s instructions for aligning and drilling pocket holes. See Figure A.
- **Cut rabbets and drill holes** as required on individual components.

Figure A: Example of Pocket Holes

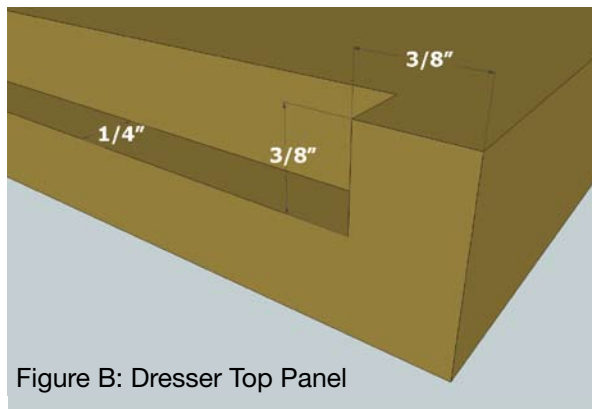
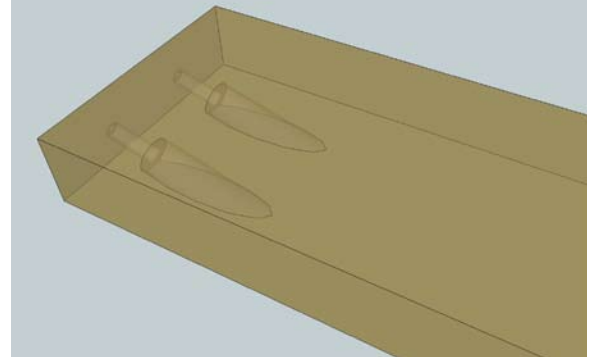


Figure B: Dresser Top Panel

Step 2 Cabinet Components

- **Cut rabbet in Top Panel.** See Figure B.
- **Cut rabbet in back edge of Left & Right Side Panels.** See Figure C.

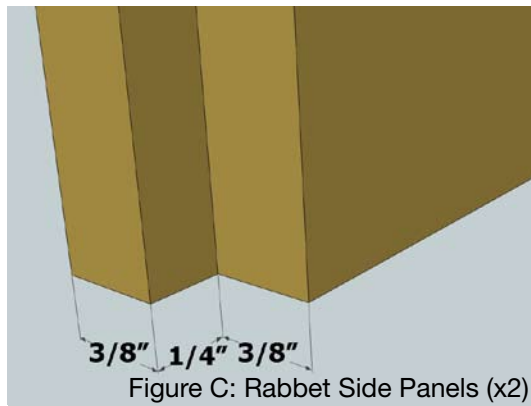


Figure C: Rabbet Side Panels (x2)

Figure D: Left Side Panel

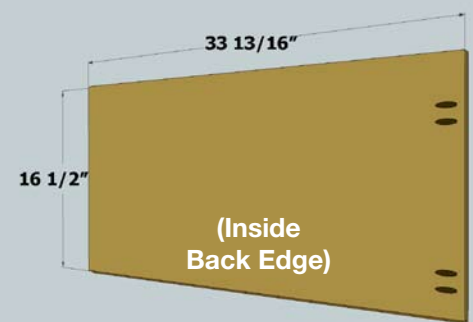
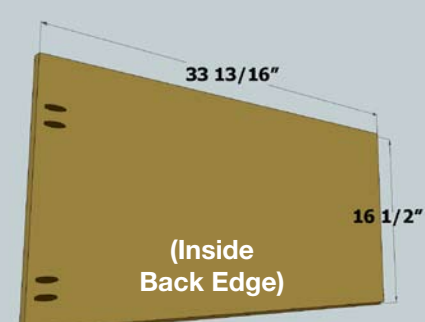


Figure E: Right Side Panel



- **Drill 4 Pocket holes in Left Side Panel.** See Figure D.
- **Drill 4 Pocket holes in Right Side Panel** (Left & Right are mirror image, not identical). See Figure E.

PLEASE READ AND FOLLOW ALL SAFETY PRECAUTIONS NOTED ON PAGE 11.

Columbia Forest Products is North America’s largest manufacturer of hardwood plywood and hardwood veneer, a leader in sustainable forestry, and innovator of soy-based formaldehyde-free PureBond® technology.

EASY SPECIAL ORDER*: Stock items are available at most Home Depot stores. Don’t see what you need on the shelves? Ask the Associates at the ProDesk for assistance to order **anything** you need: species like Cherry, Walnut, Maple or even exotics. Need a special thickness or an MDF or particleboard core? We can get it for you. **As little as 1 sheet**, shipped right to the store. (Ask the ProDesk Associate for lead times and pricing information.)

*At this time, PureBond® plywood is not stocked or offered through special order in The Home Depot stores in AZ, CO, ID, NM, NV, OR, UT, or WA.

3 Drawer Dresser - Instructions continued

- **Drill 9 pocket holes each in the Top Rear Nailer & Bottom Front Nailer.** See Figure F.

Figure F: Top Rear and Bottom Front Nailer (x2)

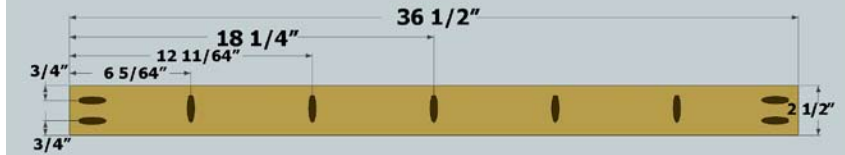
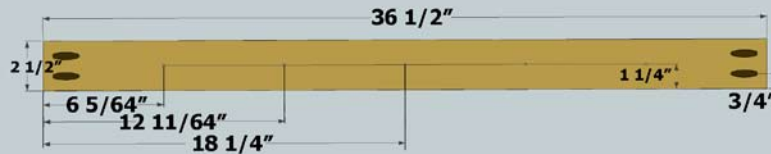


Figure G: Top Front Nailer



- **Drill 4 pocket holes and 5 through holes in Top Front Nailer.** See Figure G.

Figure H: Additional Nailers (x5)



- **Drill 4 Pocket holes in remaining 5 Nailers.** See Figure H.

Figure I: Skirt / Kick Plate



- **Drill 4 Pocket Holes in Skirt/Kick Plate.** See Figure I.

PLEASE READ AND FOLLOW ALL SAFETY PRECAUTIONS NOTED ON PAGE 11.

Columbia Forest Products is North America's largest manufacturer of hardwood plywood and hardwood veneer, a leader in sustainable forestry, and innovator of soy-based formaldehyde-free PureBond[®] technology.

EASY SPECIAL ORDER[®]: Stock items are available at most Home Depot stores. Don't see what you need on the shelves? Ask the Associates at the ProDesk for assistance to order **anything** you need: species like Cherry, Walnut, Maple or even exotics. Need a special thickness or an MDF or particleboard core? We can get it for you. **As little as 1 sheet**, shipped right to the store. (Ask the ProDesk Associate for lead times and pricing information.)

*At this time, PureBond[®] plywood is not stocked or offered through special order in The Home Depot stores in AZ, CO, ID, NM, NV, OR, UT, or WA.

3 Drawer Dresser - Instructions continued

Step 2 Apply Edgebanding-Cabinet*

- Front and side edges of Dresser Top
- Front edge only of Side Panels (left & right)
- Front edge only of Front Top Nailer
- Front edge only of 2 Front Center Nailers (not shown)
- Top edge only of Kick Plate

*Follow Manufacturer's Instructions. See Figure J.

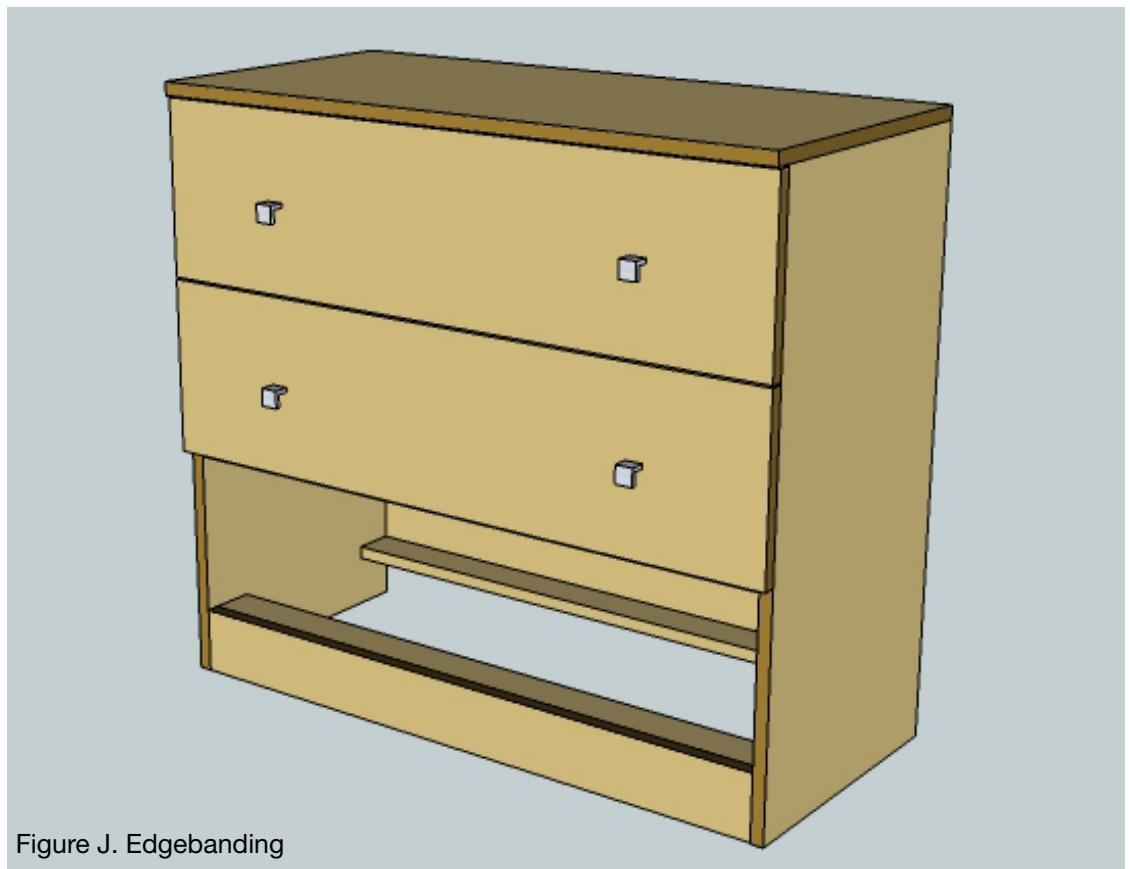


Figure J. Edgebanding

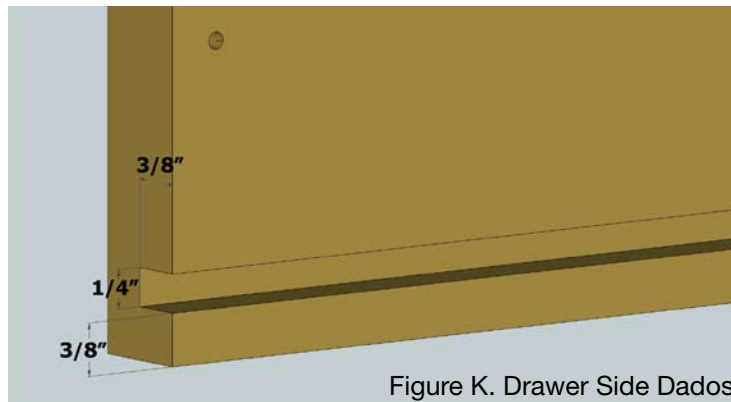


Figure K. Drawer Side Dados

Step 3 Drawer Components

- Cut Dados in Drawer Sides, Back & Sub-Front.* See Figure K.

*Columbia offers ready-to-use drawer sides, through special order at The Home Depot ProDesk.

PLEASE READ AND FOLLOW ALL SAFETY PRECAUTIONS NOTED ON PAGE 11.

Columbia Forest Products is North America's largest manufacturer of hardwood plywood and hardwood veneer, a leader in sustainable forestry, and innovator of soy-based formaldehyde-free PureBond® technology.

EASY SPECIAL ORDER*: Stock items are available at most Home Depot stores. Don't see what you need on the shelves? Ask the Associates at the ProDesk for assistance to order **anything** you need: species like Cherry, Walnut, Maple or even exotics. Need a special thickness or an MDF or particleboard core? We can get it for you. **As little as 1 sheet**, shipped right to the store. (Ask the ProDesk Associate for lead times and pricing information.)

*At this time, PureBond® plywood is not stocked or offered through special order in The Home Depot stores in AZ, CO, ID, NM, NV, OR, UT, or WA.

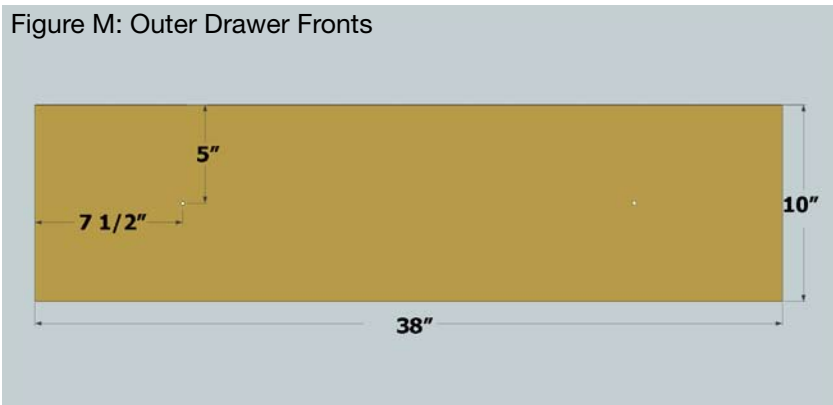
3 Drawer Dresser - Instructions continued

- **Drill Holes in Drawer Side Panels and Sub Fronts.** See Figure L.



Figure L: Drawer Sides (x2)

Figure M: Outer Drawer Fronts



- **Drill Holes for Pulls in Drawer Fronts.** See Figure M. (Adjust as necessary to fit your hardware selection.)

PLEASE READ AND FOLLOW ALL SAFETY PRECAUTIONS NOTED ON PAGE 11.

Columbia Forest Products is North America's largest manufacturer of hardwood plywood and hardwood veneer, a leader in sustainable forestry, and innovator of soy-based formaldehyde-free PureBond® technology.

EASY SPECIAL ORDER*: Stock items are available at most Home Depot stores. Don't see what you need on the shelves? Ask the Associates at the ProDesk for assistance to order **anything** you need: species like Cherry, Walnut, Maple or even exotics. Need a special thickness or an MDF or particleboard core? We can get it for you. **As little as 1 sheet**, shipped right to the store. (Ask the ProDesk Associate for lead times and pricing information.)

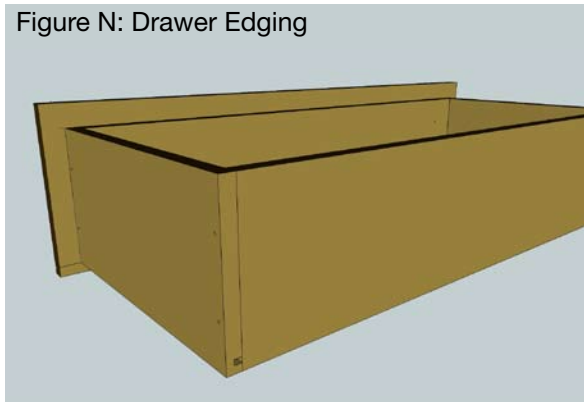
*At this time, PureBond® plywood is not stocked or offered through special order in The Home Depot stores in AZ, CO, ID, NM, NV, OR, UT, or WA.

Step 4 Apply Edgebanding-Drawers*

- Top edge of Sides, Backs & Sub-Fronts
- All edges of Drawer Outer Fronts

*Follow Manufacturer's Instructions. See Figure N.

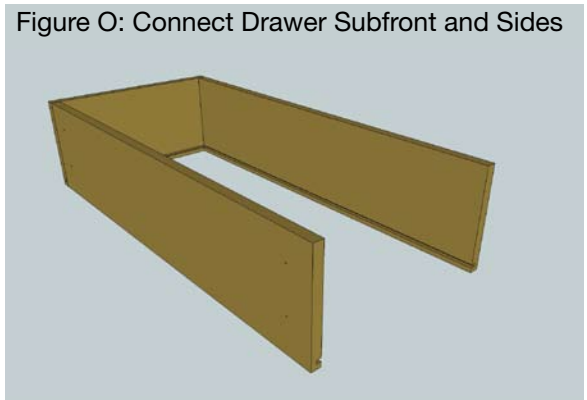
Figure N: Drawer Edging



Step 5 Assemble Components Drawers (repeat steps for each drawer)

1. **Glue and screw Drawer Sub-front to drawer sides.** See Figure O.

Figure O: Connect Drawer Subfront and Sides



3 Drawer Dresser - Instructions continued

2. **Insert drawer bottom into grooves.** See Figure P.

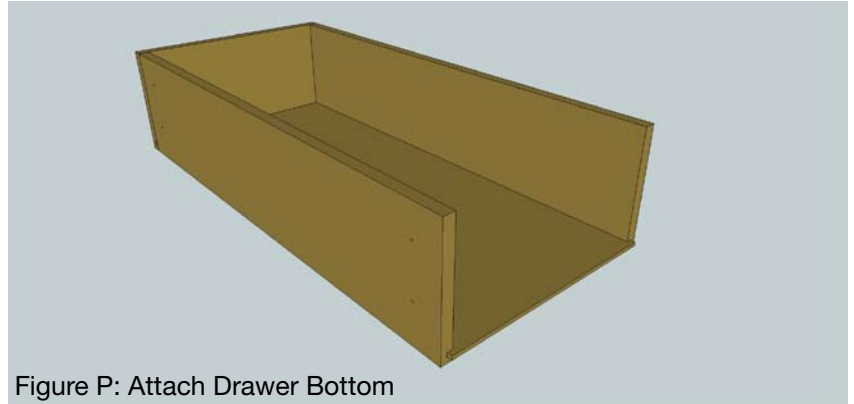
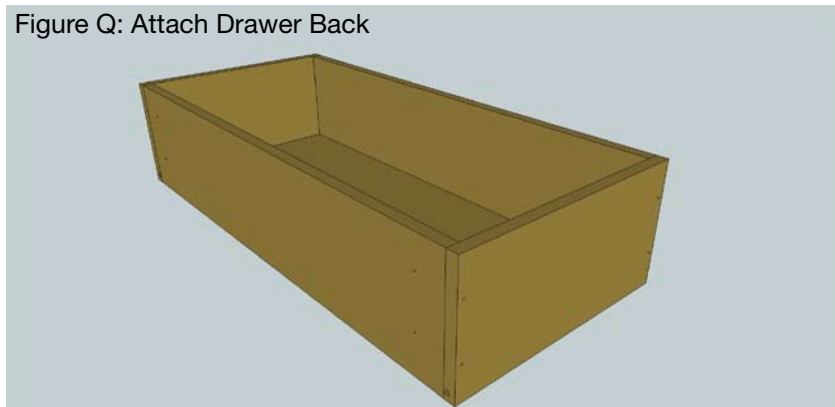


Figure P: Attach Drawer Bottom

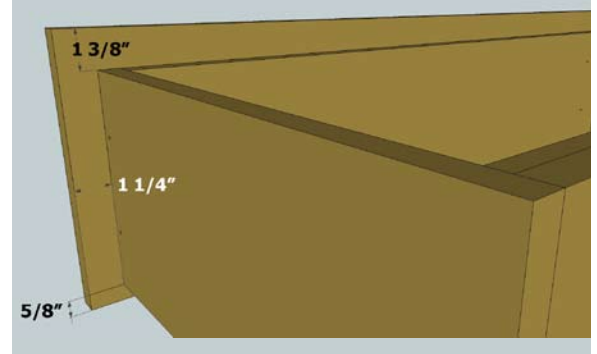
Figure Q: Attach Drawer Back



3. **Glue and screw back.** See Figure Q.

4. **Glue and screw Drawer Front** (center left to right and align bottom edge 5/8" lower than drawer assembly). See Figure R.

Figure R: Attach Drawer Front



5. **Attach Pulls.** See Figure S.

6. **Attach Drawer Slides.** Follow Manufacturer's instructions.

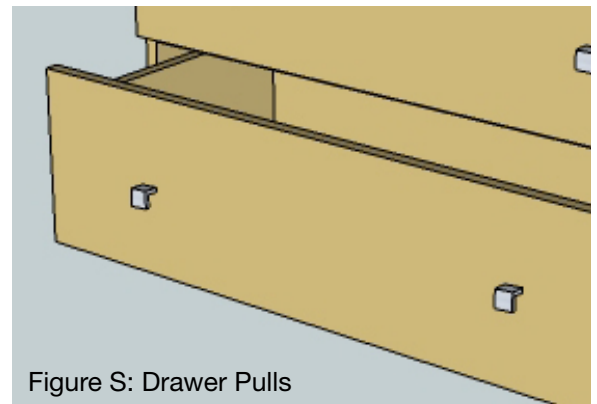


Figure S: Drawer Pulls

PLEASE READ AND FOLLOW ALL SAFETY PRECAUTIONS NOTED ON PAGE 11.

Columbia Forest Products is North America's largest manufacturer of hardwood plywood and hardwood veneer, a leader in sustainable forestry, and innovator of soy-based formaldehyde-free PureBond® technology.

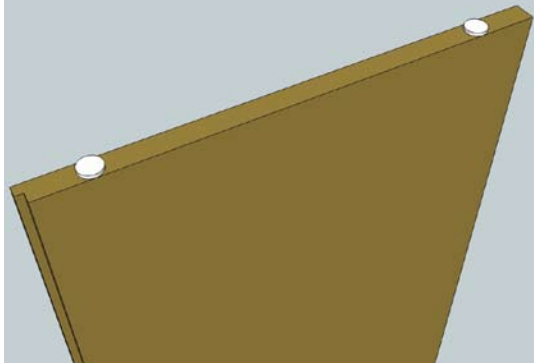
EASY SPECIAL ORDER*:

Stock items are available at most Home Depot stores. Don't see what you need on the shelves? Ask the Associates at the ProDesk for assistance to order **anything** you need: species like Cherry, Walnut, Maple or even exotics. Need a special thickness or an MDF or particleboard core? We can get it for you. **As little as 1 sheet**, shipped right to the store. (Ask the ProDesk Associate for lead times and pricing information.)

*At this time, PureBond® plywood is not stocked or offered through special order in The Home Depot stores in AZ, CO, ID, NM, NV, OR, UT, or WA.

3 Drawer Dresser - Instructions continued

Figure T: Nail on Glides (x2)



Step 6 Assemble Components- Cabinet

1. **Nail glides to bottom of side panels (left & right).** See Figure T.
2. **Attach drawer slides to side supports before assembly.** Use drawer assemblies for measure. *Follow Manufacturer's Instructions.*

3. **Glue and screw Lower Front Nailer to Kick Plate.** See Figure U.

Figure U: Attach Nailer to Kick Plate

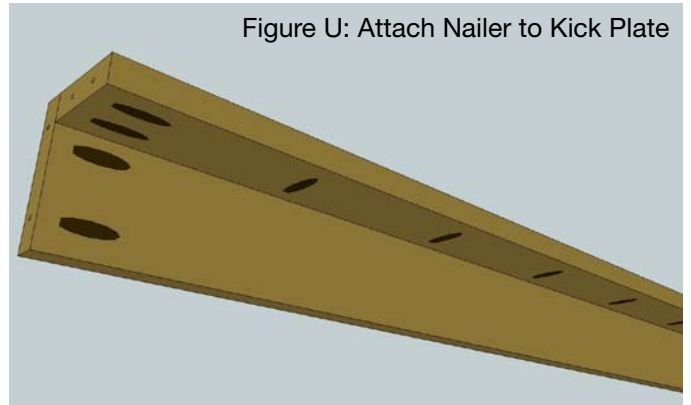
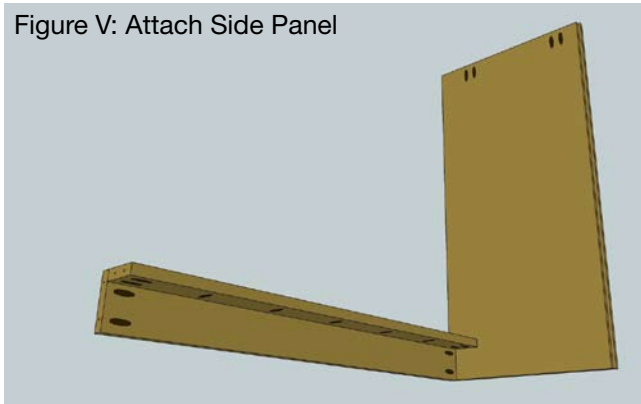


Figure V: Attach Side Panel



4. **Attach assembly created in Step 3 to first Side Panel (lower front).** See Figure V.

5. **Attach remaining lower Rear Nailer and the 4 Center Nailers** (note alignment of rear nailers to inside edge of rabbet). See Figure W and X.

Figure W: Attach Lower Rear and 4 Center Nailers

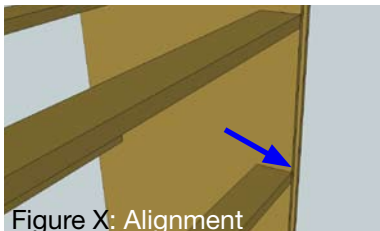
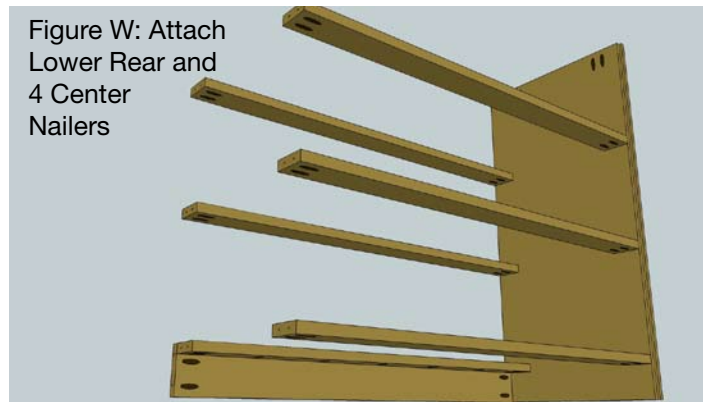


Figure X: Alignment

PLEASE READ AND FOLLOW ALL SAFETY PRECAUTIONS NOTED ON PAGE 11.

Columbia Forest Products is North America's largest manufacturer of hardwood plywood and hardwood veneer, a leader in sustainable forestry, and innovator of soy-based formaldehyde-free PureBond® technology.

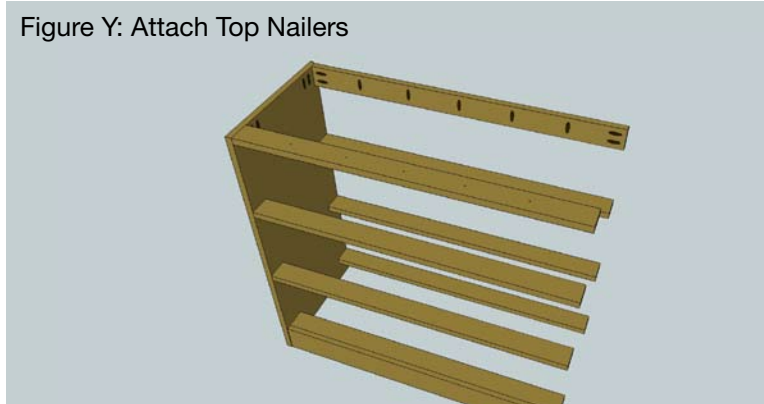
EASY SPECIAL ORDER*:

Stock items are available at most Home Depot stores. Don't see what you need on the shelves? Ask the Associates at the ProDesk for assistance to order **anything** you need: species like Cherry, Walnut, Maple or even exotics. Need a special thickness or an MDF or particleboard core? We can get it for you. **As little as 1 sheet**, shipped right to the store. (Ask the ProDesk Associate for lead times and pricing information.)

*At this time, PureBond® plywood is not stocked or offered through special order in The Home Depot stores in AZ, CO, ID, NM, NV, OR, UT, or WA.

3 Drawer Dresser - Instructions continued

Figure Y: Attach Top Nailers



6. Attach front and rear Top Nailers (note orientation of pocket holes). See Figure Y.

7. Attach opposite side panel. See Figure Z.

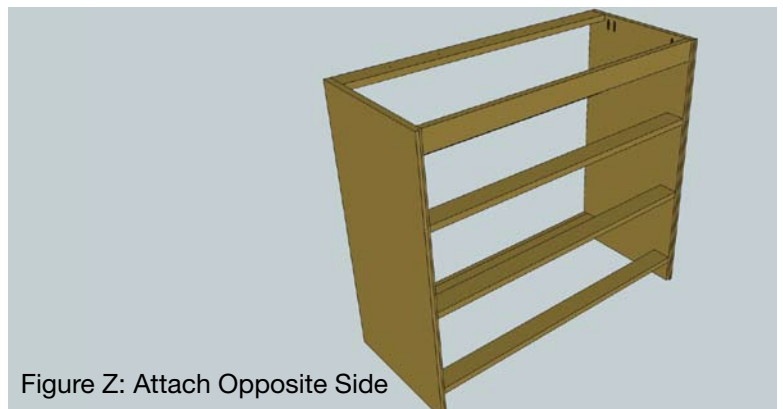


Figure Z: Attach Opposite Side

PLEASE READ AND FOLLOW ALL SAFETY PRECAUTIONS NOTED ON PAGE 11.

Columbia Forest Products is North America's largest manufacturer of hardwood plywood and hardwood veneer, a leader in sustainable forestry, and innovator of soy-based formaldehyde-free PureBond® technology.

EASY SPECIAL ORDER*: Stock items are available at most Home Depot stores. Don't see what you need on the shelves? Ask the Associates at the ProDesk for assistance to order **anything** you need: species like Cherry, Walnut, Maple or even exotics. Need a special thickness or an MDF or particleboard core? We can get it for you. **As little as 1 sheet**, shipped right to the store. (Ask the ProDesk Associate for lead times and pricing information.)

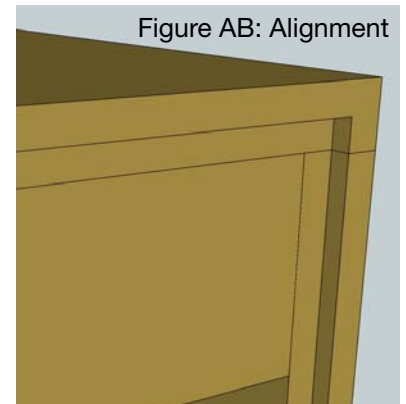
*At this time, PureBond® plywood is not stocked or offered through special order in The Home Depot stores in AZ, CO, ID, NM, NV, OR, UT, or WA.

Figure AA: Attach Top



8. Attach Top (note alignment of Rabbet) See Figures AA and AB.

Figure AB: Alignment



9. Attach Back Assembly with glue and nails. See Figure AC.

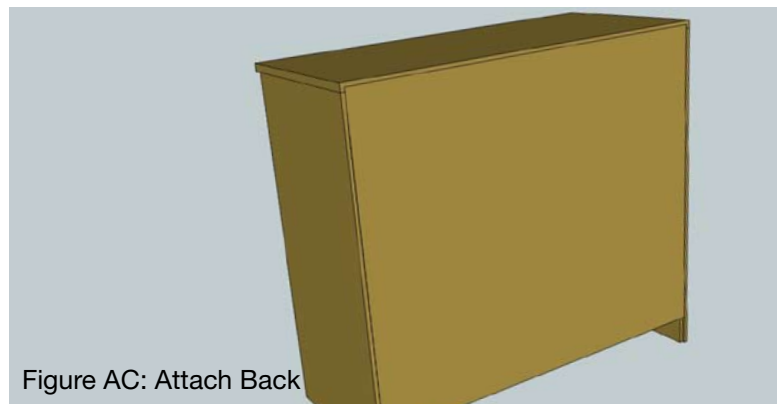


Figure AC: Attach Back

3 Drawer Dresser - Instructions continued

- **Final Assembly:**
Install Drawers. See
Figure AD.

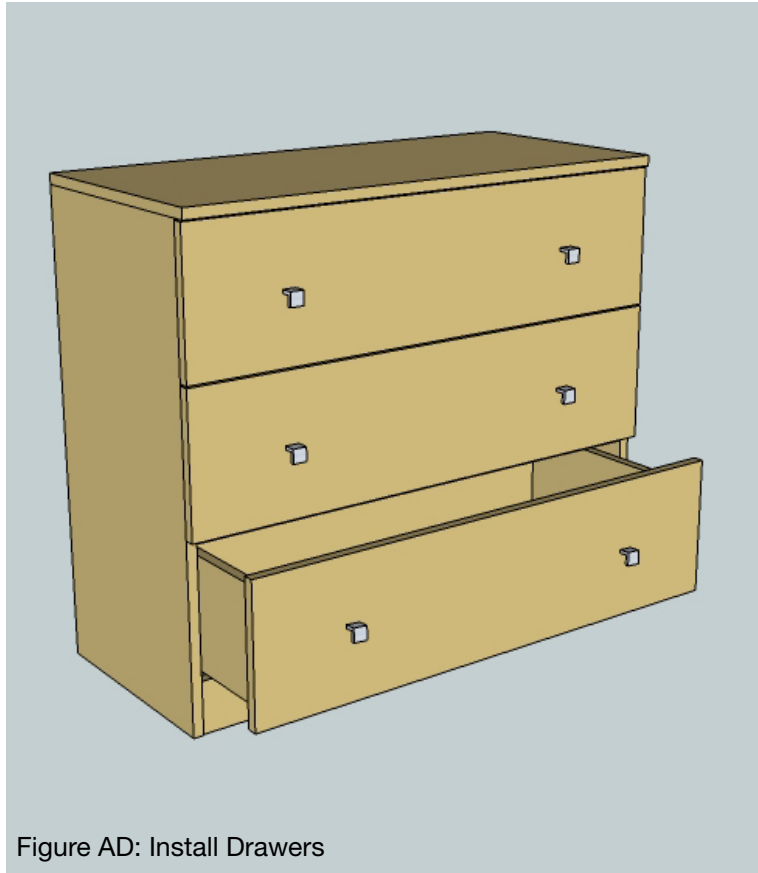


Figure AD: Install Drawers

**PLEASE READ AND FOLLOW
ALL SAFETY PRECAUTIONS
NOTED ON PAGE 11.**

Columbia Forest Products is North America's largest manufacturer of hardwood plywood and hardwood veneer, a leader in sustainable forestry, and innovator of soy-based formaldehyde-free PureBond® technology.

EASY SPECIAL ORDER*: Stock items are available at most Home Depot stores. Don't see what you need on the shelves? Ask the Associates at the ProDesk for assistance to order **anything** you need: species like Cherry, Walnut, Maple or even exotics. Need a special thickness or an MDF or particleboard core? We can get it for you. **As little as 1 sheet**, shipped right to the store. (Ask the ProDesk Associate for lead times and pricing information.)

*At this time, PureBond® plywood is not stocked or offered through special order in The Home Depot stores in AZ, CO, ID, NM, NV, OR, UT, or WA.

www.cfpwood.com
800.637.1609

Safety Precautions

- Read all of the instructions and materials list before cutting or assembling this Dresser.
- Improper assembly could result in damage to your property, or serious injuries. Columbia Forest Products is not liable for any damage or injury resulting from the assembly or use of this Dresser.
- Use caution when cutting. Make sure you are using an appropriate saw and blade, and follow all safety instructions provided by the saw manufacturer.
- Make sure that all hinges and other hardware you have selected are appropriate for the weight and dimensions of this Dresser and its intended use. If you are unsure about whether specific hinges or other hardware are appropriate consult a professional.
- This Dresser is heavy. To avoid injury, two or more people should work together when assembling or moving it.

Disclaimer of Liability and Warranties

The assembly plans for this Dresser are complete and accurate to the best of Columbia Forest Products' knowledge, and are provided free of charge. Columbia Forest Products disclaims any and all liability for injuries or damage resulting from the assembly or use of this Dresser, including any consequential damages. Anyone assembling or using this Dresser does so at their own risk.

Columbia Forest Products makes no warranty of any kind with respect to the assembly or use of this Dresser, and explicitly disclaims any Implied Warranty of Merchantability and/or Implied Warranty of Fitness for a Particular Purpose.

By downloading and/or following these plans, the user acknowledges that he or she has read and followed the Assembly Instructions and Safety Precautions.

Feedback line: info@cfpwood.com