

Desk and Bookshelf Hutch

Dimensions 36" w x 62 1/8" h x 20" d

This desk and optional bookshelf hutch offer the perfect proportions for a young student. Shown here in pre-finished B2 sap maple PureBond® veneer core hardwood plywood.



Detail of keyboard tray and desk drawer in open position.

PLEASE READ AND FOLLOW ALL SAFETY PRECAUTIONS NOTED ON PAGE 15.

Columbia Forest Products is North America's largest manufacturer of hardwood plywood and hardwood veneer, a leader in sustainable forestry, and innovator of soy-based formaldehyde-free PureBond® technology.

EASY SPECIAL ORDER*: Stock items are available at most Home Depot stores. Don't see what you need on the shelves? Ask the Associates at the ProDesk for assistance to order **anything** you need: species like Cherry, Walnut, Maple or even exotics. Need a special thickness or an MDF or particleboard core? We can get it for you. **As little as 1 sheet**, shipped right to the store. (Ask the ProDesk Associate for lead times and pricing information.)

*At this time, PureBond® plywood is not stocked or offered through special order in The Home Depot stores in AZ, CO, ID, NM, NV, OR, UT, or WA.

www.cfpwood.com
800.637.1609

Materials List

- 2 Sheets 3/4" thick 4x8' veneer core hardwood plywood
 - 1 Sheets 1/4" thick 4x8' veneer core hardwood plywood
 - 4 16" Drawer Slides (such as [Liberty European self-closing bottom mount D688](#) available at The Home Depot.)*
 - 6 Nail-on glides
 - 1 Roll matching edgebanding (such as [BAND-IT iron on wood veneer edgebanding](#) available through special order at The Home Depot.)*
 - 7 Wood screws #6 x 1 1/4"
 - 38 Wood screws #6 x 2"
 - 38 Wood screw Hole Plugs
 - 1 Bottle wood glue
 - Brads or small finishing nails
- * Please follow the installation instructions of the slide and edging manufacturers.

Desk and Hutch - Cut List

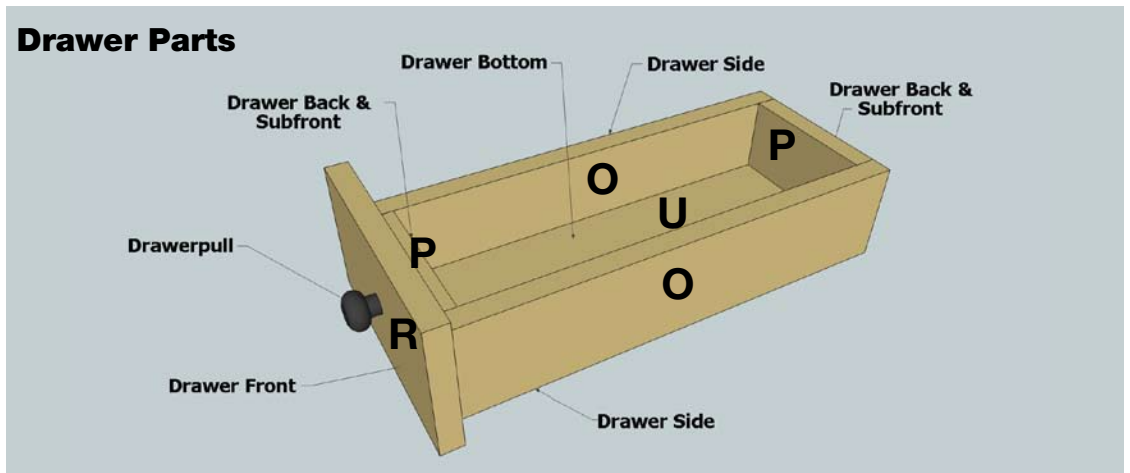
3/4" Sheet #1					
Reference	Component	QTY	Width	Length	Notes
A	Side Support, Desk, Left	1	19"	28"	Left & Right are mirrored (Rabbit on Opposite Edges)
B	Side Support, Desk, Right	1	19"	28"	
C	Desk Support, Center	1	18 3/4"	28"	
D	Shelf, Bookshelf	2	11 1/2"	32 1/2"	
E	Side Panel, Bookshelf, Left	1	12"	34"	Left & Right are mirrored (Rabbit on Opposite Edges)
F	Side Panel, Bookshelf, Right	1	12"	34"	
3/4" Sheet #2					
Reference	Component	QTY	Width	Length	Notes
G	Desk, Top	1	20"	36"	
H	Keyboard, Tray	1	17"	23 3/4"	
I	Nailer, Seat Area	2	2 1/2"	24"	
J	Nailer, Bookshelf Back	2	2 1/2"	32 1/2"	
K	Nailer, Drawer Area	2	2 1/2"	8 1/2"	
L	Nailer, Keyboard Front	1	1 1/2"	23 3/4"	
M	Nailer, Keyboard Sides	2	1 1/2"	16"	
N	Nailer, Left Support to Top	1	1 1/2"	16"	
O	Drawer, Sides	2	3 1/2"	16"	
P	Drawer, Sub-Front & Back	2	3 1/2"	5"	
Q	Desk Shelf	2	8 1/2"	17 1/2"	
R	Drawer Front	1	8 1/4"	4 5/8"	
1/4" Sheet					
Reference	Component	QTY	Width	Length	Notes
S	Desk, Back Panel	1	33 15/16"	26 1/2"	
T	Bookshelf, Back Panel	1	33 3/16"	34"	
U	Drawer Bottom	1	15 3/16"	5 11/16"	
Hardware					
Reference	Component	QTY			
	16" Drawer Slide	4			Liberty Hardware, European Self Closing Bottom Mount, D688 Series Used
	Nail-on Glides	6			For feet
	Drawer Pull	1			
	Brads or small finishing nails	lots			To attach back panels to desk and bookshelf
	Wood Screw, #6 x 1 1/4"	7			To attach top
	Wood Screw, #6 x 2"	38			All other Locations
	Wood Screw Hole Plug	38			To cover screwheads

PLEASE READ AND FOLLOW ALL SAFETY PRECAUTIONS NOTED ON PAGE 15.

Columbia Forest Products is North America's largest manufacturer of hardwood plywood and hardwood veneer, a leader in sustainable forestry, and innovator of soy-based formaldehyde-free PureBond® technology.

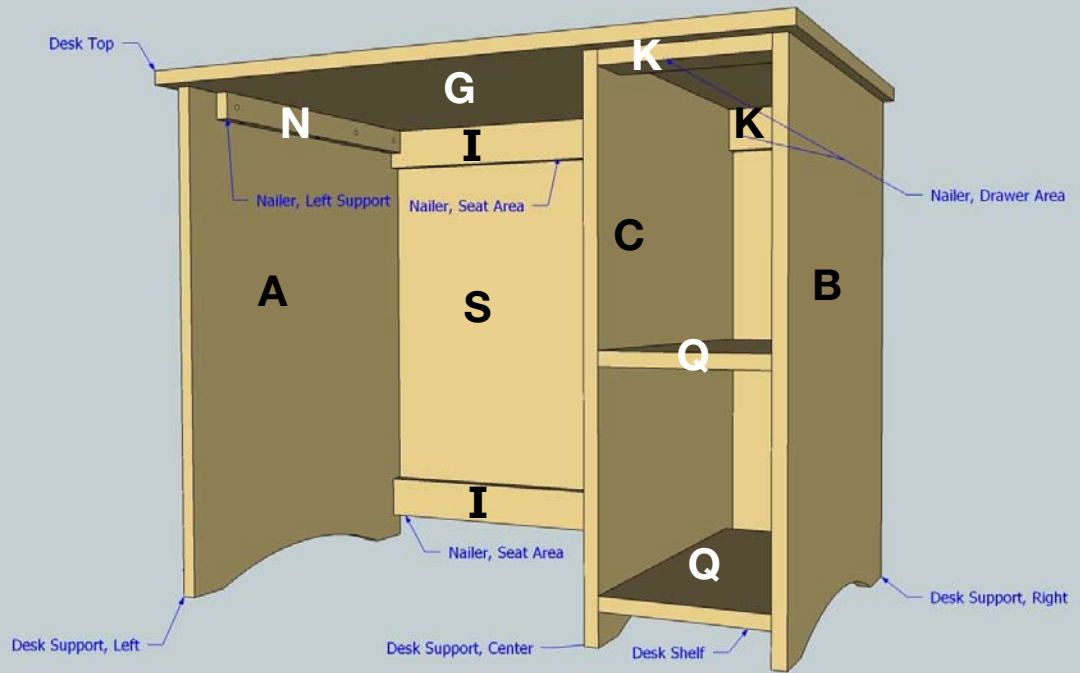
EASY SPECIAL ORDER*: Stock items are available at most Home Depot stores. Don't see what you need on the shelves? Ask the Associates at the ProDesk for assistance to order **anything** you need: species like Cherry, Walnut, Maple or even exotics. Need a special thickness or an MDF or particleboard core? We can get it for you. **As little as 1 sheet**, shipped right to the store. (Ask the ProDesk Associate for lead times and pricing information.)

*At this time, PureBond® plywood is not stocked or offered through special order in The Home Depot stores in AZ, CO, ID, NM, NV, OR, UT, or WA.



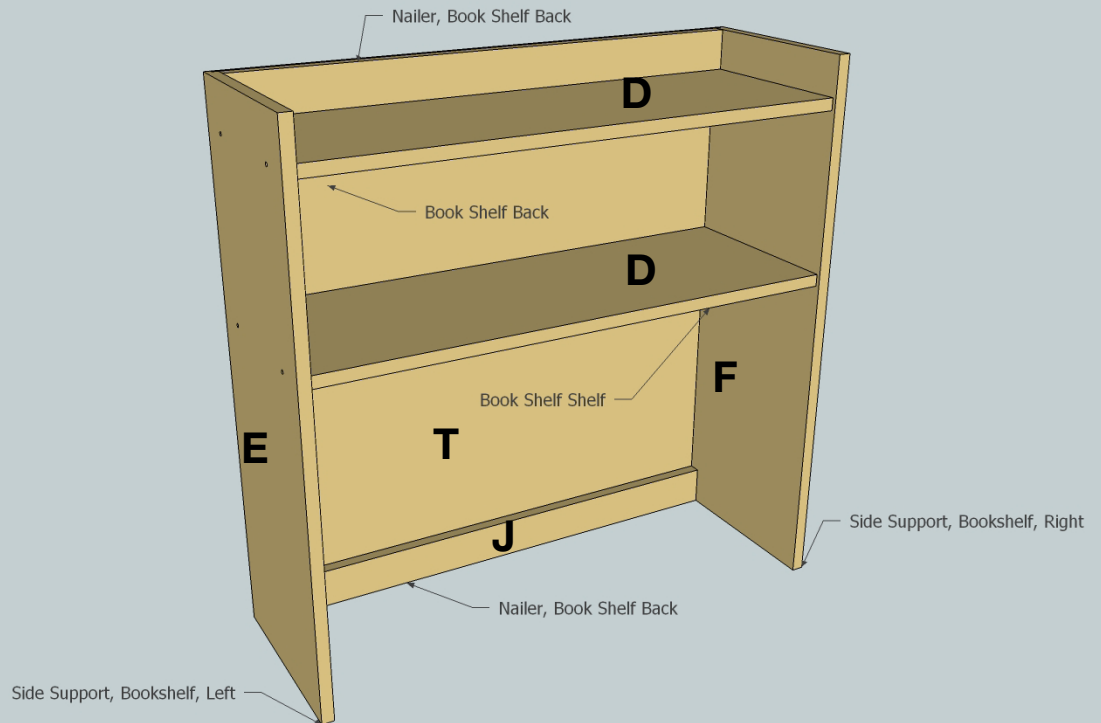
Desk and Hutch - Parts ID

Desk Parts



Keyboard tray not shown. See figure Z.

Hutch Parts



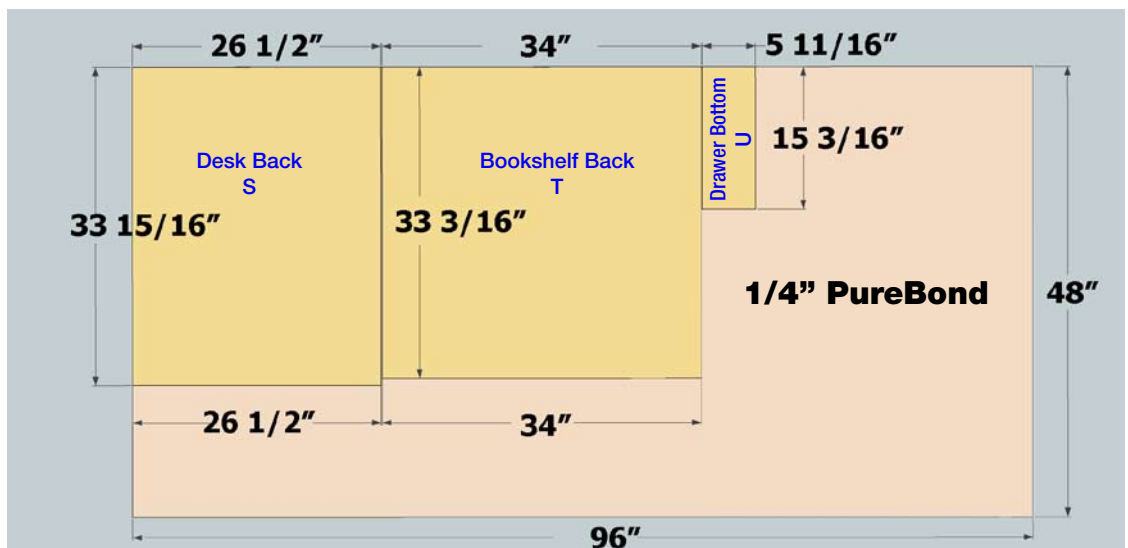
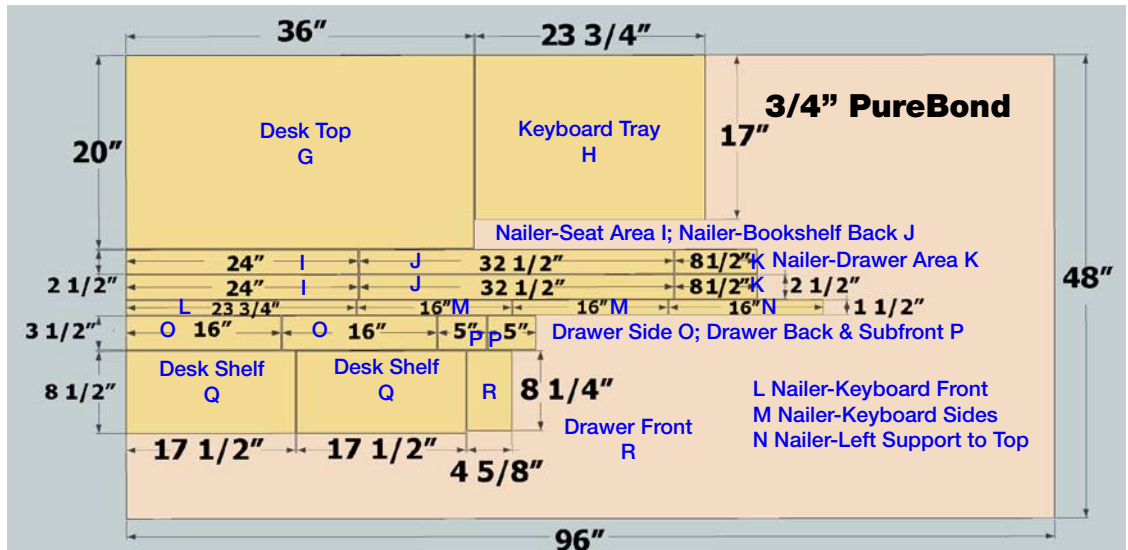
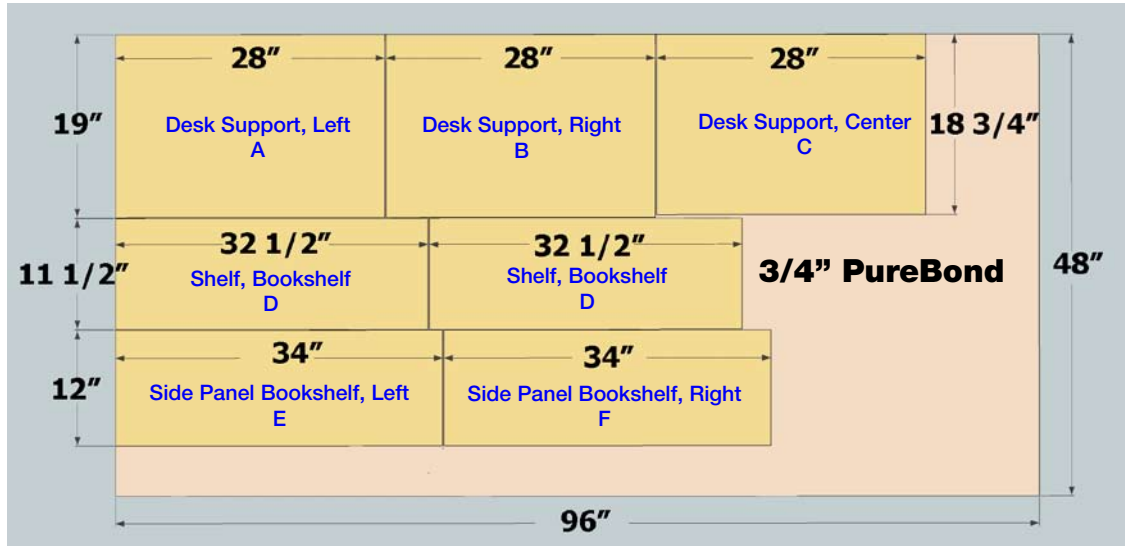
PLEASE READ AND FOLLOW ALL SAFETY PRECAUTIONS NOTED ON PAGE 15.

Columbia Forest Products is North America's largest manufacturer of hardwood plywood and hardwood veneer, a leader in sustainable forestry, and innovator of soy-based formaldehyde-free PureBond® technology.

EASY SPECIAL ORDER*: Stock items are available at most Home Depot stores. Don't see what you need on the shelves? Ask the Associates at the ProDesk for assistance to order **anything** you need: species like Cherry, Walnut, Maple or even exotics. Need a special thickness or an MDF or particleboard core? We can get it for you. **As little as 1 sheet**, shipped right to the store. (Ask the ProDesk Associate for lead times and pricing information.)

*At this time, PureBond® plywood is not stocked or offered through special order in The Home Depot stores in AZ, CO, ID, NM, NV, OR, UT, or WA.

Desk and Hutch - Cut List



PLEASE READ AND FOLLOW ALL SAFETY PRECAUTIONS NOTED ON PAGE 15.

Columbia Forest Products is North America's largest manufacturer of hardwood plywood and hardwood veneer, a leader in sustainable forestry, and innovator of soy-based formaldehyde-free PureBond® technology.

EASY SPECIAL ORDER*: Stock items are available at most Home Depot stores. Don't see what you need on the shelves? Ask the Associates at the ProDesk for assistance to order *anything* you need: species like Cherry, Walnut, Maple or even exotics. Need a special thickness or an MDF or particleboard core? We can get it for you. **As little as 1 sheet**, shipped right to the store. (Ask the ProDesk Associate for lead times and pricing information.)

*At this time, PureBond® plywood is not stocked or offered through special order in The Home Depot stores in AZ, CO, ID, NM, NV, OR, UT, or WA.

Desk and Hutch - Instructions

Step 1

- Cut all parts to overall size. See cut lists and diagrams on pages 2-4.

A note on hole sizes: Hole sizes are determined by the size of the wood screw used and Hardwood Button Plug screw covers selected. *Refer to manufacturer's instructions for diameter and depth of holes to accommodate the plugs.*

If you use:

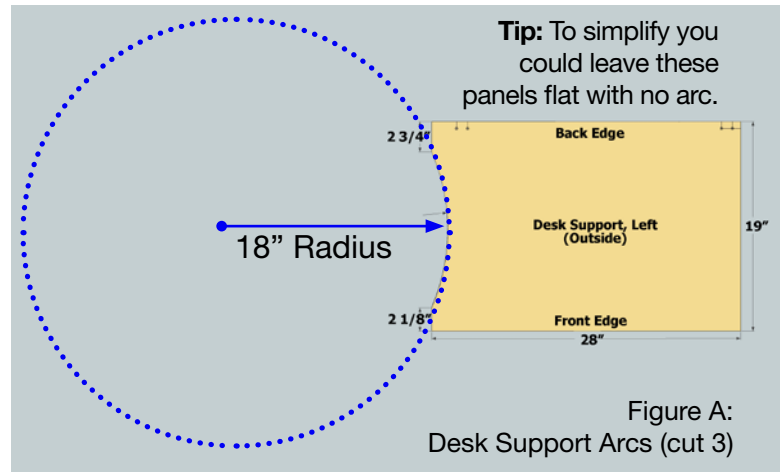
- #6 Screws, then drill 5/32" Through Holes and 1/16" Pilot Holes
- #8 Screws, then drill 11/64" Through Holes and 5/64" Pilot Holes

Step 2 Desk Components

Side Support Panels:

- Beginning with one of the 19" x 28" blanks for the **Side Support Panels** cut the arcs on the bottom. See Figure A.

- Use this first Side Support as a template to router or trace and cut matching arcs on the other 2 panels (note spacing difference from front edge vs. rear edge) Align on front edges.



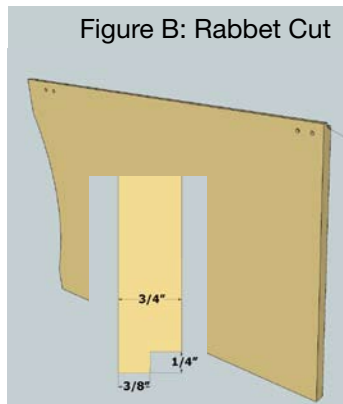
PLEASE READ AND FOLLOW ALL SAFETY PRECAUTIONS NOTED ON PAGE 15.

Columbia Forest Products is North America's largest manufacturer of hardwood plywood and hardwood veneer, a leader in sustainable forestry, and innovator of soy-based formaldehyde-free PureBond® technology.

EASY SPECIAL ORDER*:

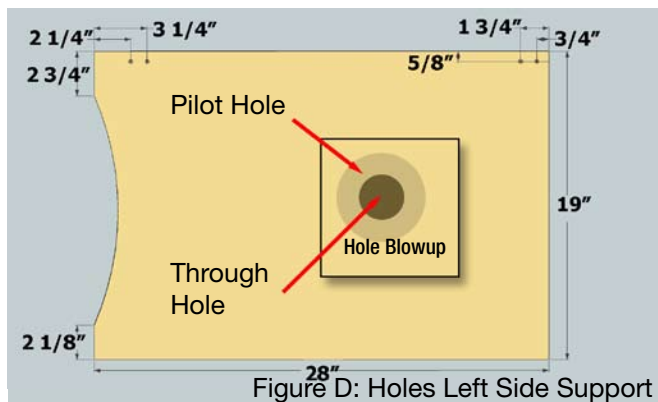
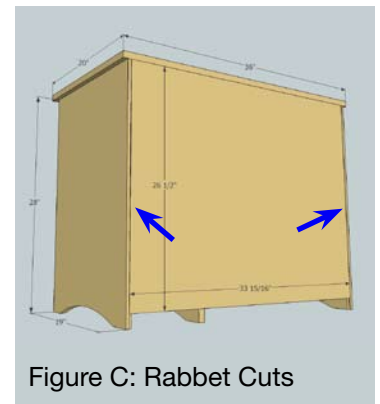
Stock items are available at most Home Depot stores. Don't see what you need on the shelves? Ask the Associates at the ProDesk for assistance to order **anything** you need: species like Cherry, Walnut, Maple or even exotics. Need a special thickness or an MDF or particleboard core? We can get it for you. **As little as 1 sheet**, shipped right to the store. (Ask the ProDesk Associate for lead times and pricing information.)

*At this time, PureBond® plywood is not stocked or offered through special order in The Home Depot stores in AZ, CO, ID, NM, NV, OR, UT, or WA.



- **Cut rabbets on back edge of Left & Right Side Panels** noting their correct orientation (center panel is 1/4" narrower and has no rabbet) See Figures B & C.

- Left and right mirror each other.



- **Drill all holes as required.** Note direction of holes as there is a through hole for the screw and a shallower hole for a Hardwood Button Plug to cover the screw holes. See Figure D for **Left Side Support**.

See Figure E Right Support (next page ▶)

See Figure F & G Center Support (next page ▶)

Desk and Hutch - Instructions continued

• **Drill all holes as required.**
Note direction of holes as there is a through hole for the screw and a shallower hole for a Hardwood Button Plug to cover the screw holes.

See Figure E Right Support

See Figures F & G Center Support

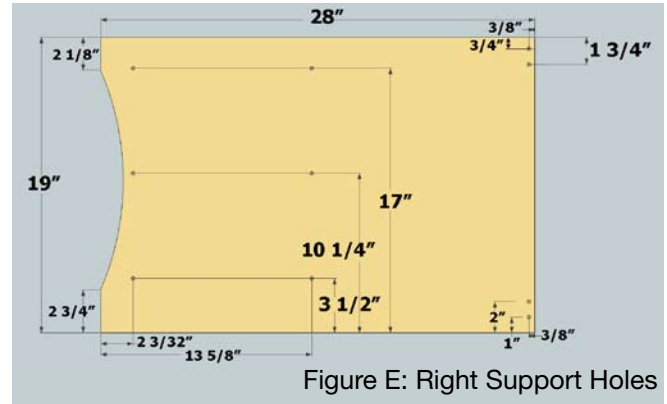


Figure E: Right Support Holes

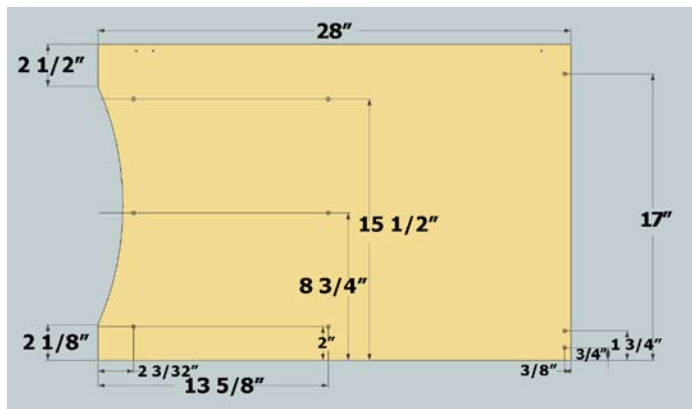


Figure F: Center Support, Seat Side



Figure G: Center Support, Shelf Side

- **Drill holes for Nailers.**
- **Nailer, Drawer Area (2 pieces).** See Figure H.
- **Nailer, Left Side Support Panel to Desk Top.** See Figure I.

Figure H: Nailer, Drawer Area (x2)

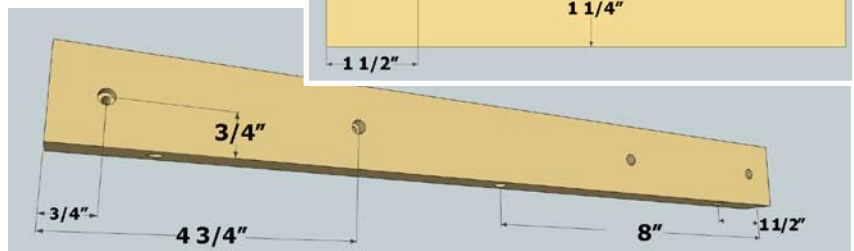


Figure I: Nailer, Left Side to Desk Top

PLEASE READ AND FOLLOW ALL SAFETY PRECAUTIONS NOTED ON PAGE 15.

Columbia Forest Products is North America's largest manufacturer of hardwood plywood and hardwood veneer, a leader in sustainable forestry, and innovator of soy-based formaldehyde-free PureBond® technology.

EASY SPECIAL ORDER*: Stock items are available at most Home Depot stores. Don't see what you need on the shelves? Ask the Associates at the ProDesk for assistance to order **anything** you need: species like Cherry, Walnut, Maple or even exotics. Need a special thickness or an MDF or particleboard core? We can get it for you. **As little as 1 sheet**, shipped right to the store. (Ask the ProDesk Associate for lead times and pricing information.)

*At this time, PureBond® plywood is not stocked or offered through special order in The Home Depot stores in AZ, CO, ID, NM, NV, OR, UT, or WA.

Desk and Hutch - Instructions continued

Step 3 Bookshelf Hutch Components

Side Support Panels:

- Cut Rabbet on Back edge of Left Side Support. See Figure J.
- Cut Rabbet on Back edge of Right Side Panel. See Figure M.

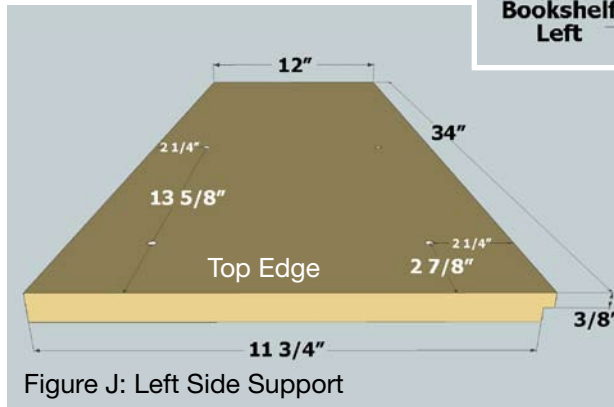
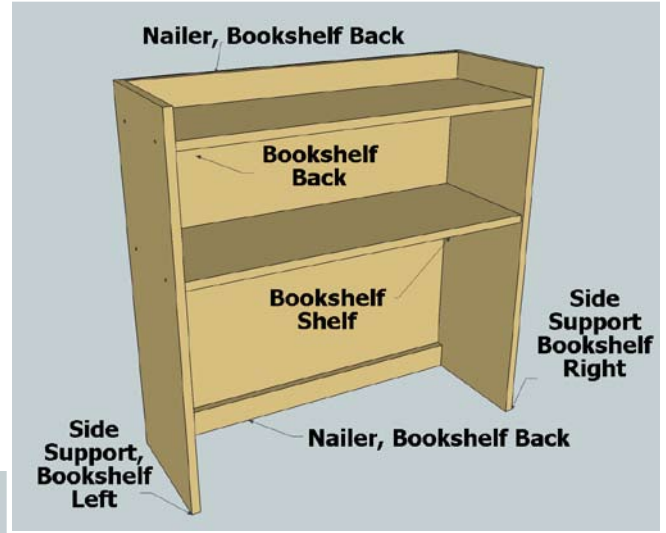


Figure J: Left Side Support

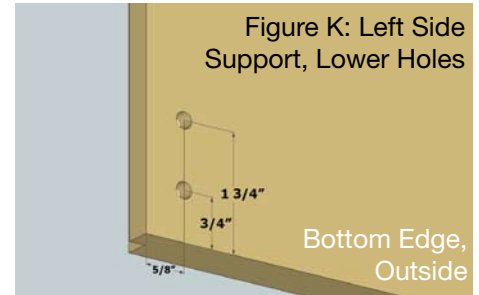


Figure K: Left Side Support, Lower Holes

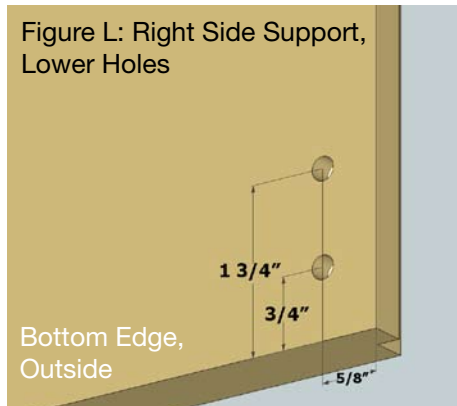


Figure L: Right Side Support, Lower Holes

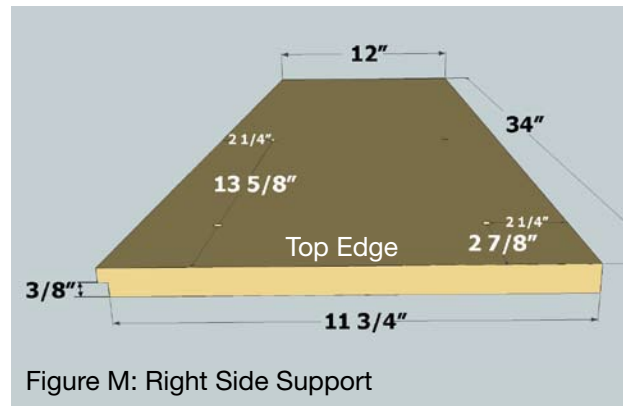


Figure M: Right Side Support

- **Drill all holes as required.** Note outside vs. inside of panels as defined by rabbet. Note direction of holes as there is a through hole for the screw and a shallower hole for a Hardwood Button Plug to cover the screw holes.

Left Side Support see Figures J & K.

Right Side Support see Figures L & M.

PLEASE READ AND FOLLOW ALL SAFETY PRECAUTIONS NOTED ON PAGE 15.

Columbia Forest Products is North America's largest manufacturer of hardwood plywood and hardwood veneer, a leader in sustainable forestry, and innovator of soy-based formaldehyde-free PureBond® technology.

EASY SPECIAL ORDER®: Stock items are available at most Home Depot stores. Don't see what you need on the shelves? Ask the Associates at the ProDesk for assistance to order **anything** you need: species like Cherry, Walnut, Maple or even exotics. Need a special thickness or an MDF or particleboard core? We can get it for you. **As little as 1 sheet**, shipped right to the store. (Ask the ProDesk Associate for lead times and pricing information.)

*At this time, PureBond® plywood is not stocked or offered through special order in The Home Depot stores in AZ, CO, ID, NM, NV, OR, UT, or WA.

Desk and Hutch - Instructions continued

Step 4 Drawer Parts

- Exploded View of drawer parts. See Figure N.

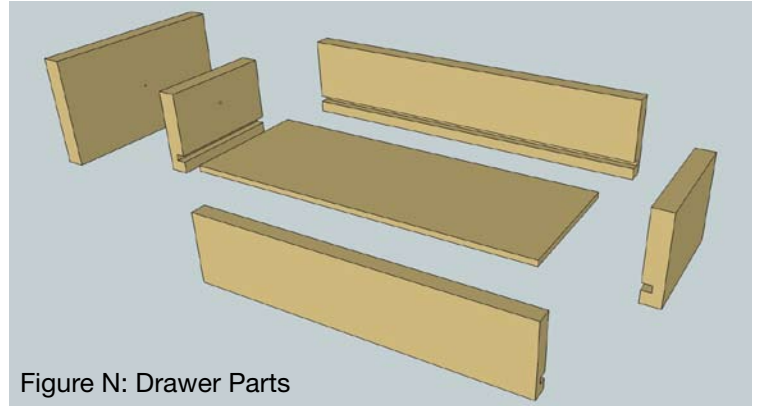


Figure N: Drawer Parts

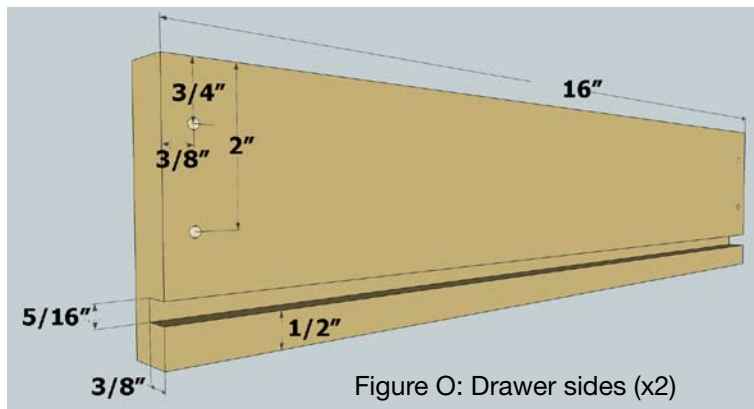


Figure O: Drawer sides (x2)

- Dado Slots in Drawer Sides, Back & Subfront.* See Figure O.

- Drill Holes in Drawer sides. See Figure O.

* Columbia offers ready-to-use drawer sides, special order through the Home Depot ProDesk.

PLEASE READ AND FOLLOW ALL SAFETY PRECAUTIONS NOTED ON PAGE 15.

Columbia Forest Products is North America's largest manufacturer of hardwood plywood and hardwood veneer, a leader in sustainable forestry, and innovator of soy-based formaldehyde-free PureBond® technology.

EASY SPECIAL ORDER*: Stock items are available at most Home Depot stores. Don't see what you need on the shelves? Ask the Associates at the ProDesk for assistance to order **anything** you need: species like Cherry, Walnut, Maple or even exotics. Need a special thickness or an MDF or particleboard core? We can get it for you. **As little as 1 sheet**, shipped right to the store. (Ask the ProDesk Associate for lead times and pricing information.)

*At this time, PureBond® plywood is not stocked or offered through special order in The Home Depot stores in AZ, CO, ID, NM, NV, OR, UT, or WA.

- Drill hole in Subfront (for pull and attachment to drawer front). See Figure P.

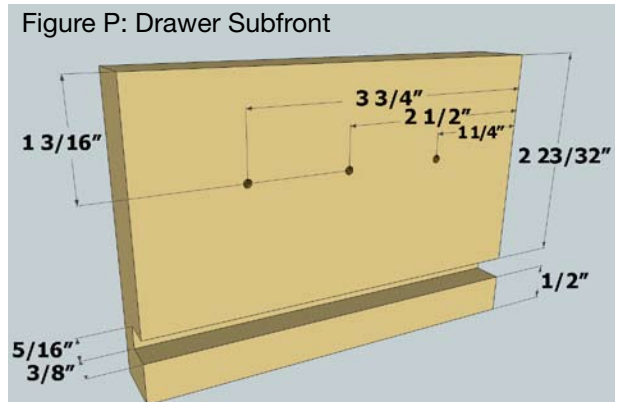


Figure P: Drawer Subfront

- Drill hole in Drawer Front (for pull). See Figure Q.

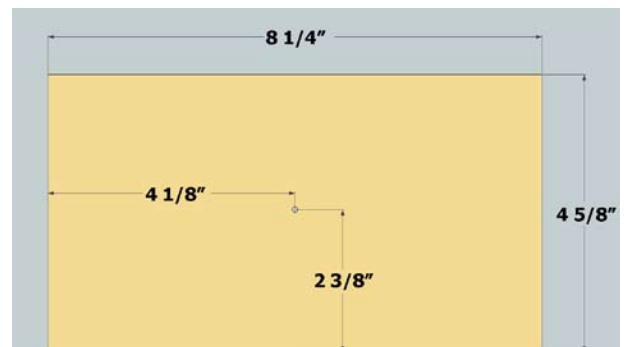


Figure Q: Drawer Front

Desk and Hutch - Instructions continued

Step 5 Keyboard Parts

- Drill holes in Nailers

Figure R for Left and Right

Figure S for Front

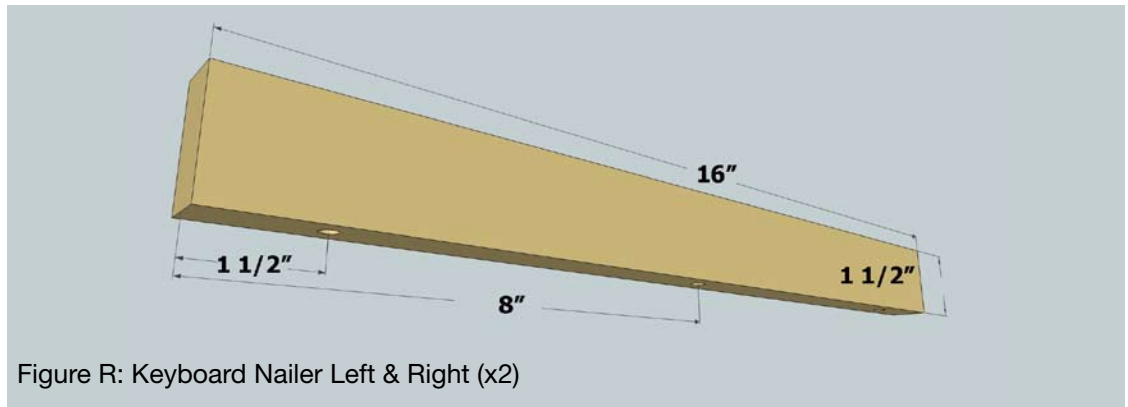
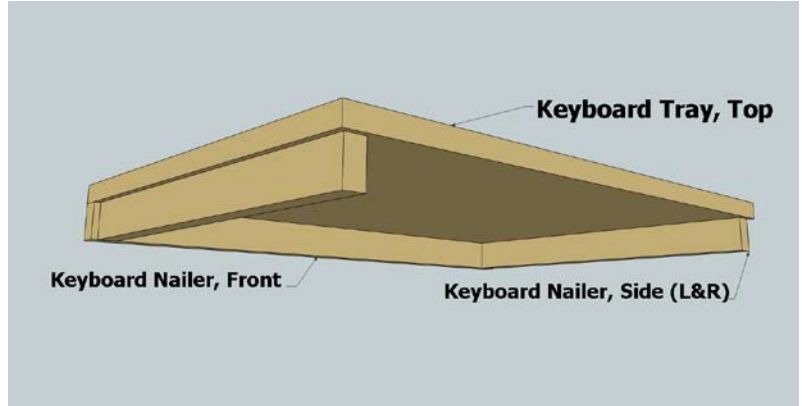


Figure R: Keyboard Nailer Left & Right (x2)

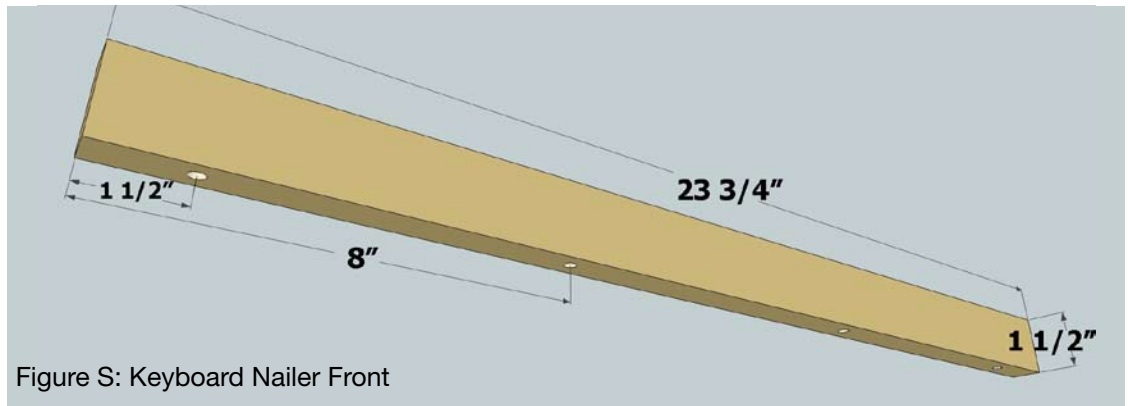


Figure S: Keyboard Nailer Front

PLEASE READ AND FOLLOW ALL SAFETY PRECAUTIONS NOTED ON PAGE 15.

Columbia Forest Products is North America's largest manufacturer of hardwood plywood and hardwood veneer, a leader in sustainable forestry, and innovator of soy-based formaldehyde-free PureBond® technology.

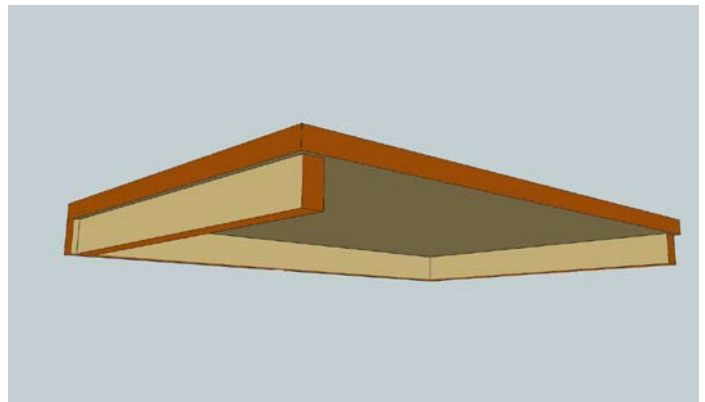
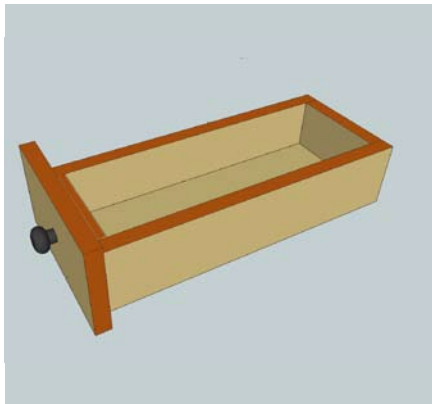
EASY SPECIAL ORDER*: Stock items are available at most Home Depot stores. Don't see what you need on the shelves? Ask the Associates at the ProDesk for assistance to order **anything** you need: species like Cherry, Walnut, Maple or even exotics. Need a special thickness or an MDF or particleboard core? We can get it for you. **As little as 1 sheet**, shipped right to the store. (Ask the ProDesk Associate for lead times and pricing information.)

*At this time, PureBond® plywood is not stocked or offered through special order in The Home Depot stores in AZ, CO, ID, NM, NV, OR, UT, or WA.

Desk and Hutch - Instructions continued

Step 6 Apply Edgebanding*

- Desk Top – All Edges
- Desk Side Support Panels – Front Edges Only
- Desk Shelves – Front Edges Only
- Nailer, Seat Area – Top or Bottom Edge Only
- Nailer, Left Side Support to Top – Bottom & Front Only
- Nailer, Drawer Area – Front Edge Only
- Bookshelf Side Support Panels – Front Edge, top and bottom
- Bookshelf Shelves – Front Edge Only
- Bookshelf Nailers – Top Edges Only
- Drawer Front – All Edges



- Drawer Sides, Back & Sub-front – Top Only
- Keyboard Tray – All Edges
- Keyboard Nailer, Front – Bottom & Ends
- Keyboard Nailer, Sides – Bottom Only

**Follow manufacturer's directions for edging.*

PLEASE READ AND FOLLOW ALL SAFETY PRECAUTIONS NOTED ON PAGE 15.

Columbia Forest Products is North America's largest manufacturer of hardwood plywood and hardwood veneer, a leader in sustainable forestry, and innovator of soy-based formaldehyde-free PureBond® technology.

EASY SPECIAL ORDER*: Stock items are available at most Home Depot stores. Don't see what you need on the shelves? Ask the Associates at the ProDesk for assistance to order **anything** you need: species like Cherry, Walnut, Maple or even exotics. Need a special thickness or an MDF or particleboard core? We can get it for you. **As little as 1 sheet**, shipped right to the store. (Ask the ProDesk Associate for lead times and pricing information.)

*At this time, PureBond® plywood is not stocked or offered through special order in The Home Depot stores in AZ, CO, ID, NM, NV, OR, UT, or WA.

Desk and Hutch - Instructions continued

Step 7 Assemble Components Drawer Assembly

- **Glue and screw Drawer Back and Sub-front** to Left drawer side. See Figure T.
- **Insert drawer bottom into grooves.** See Figure U.

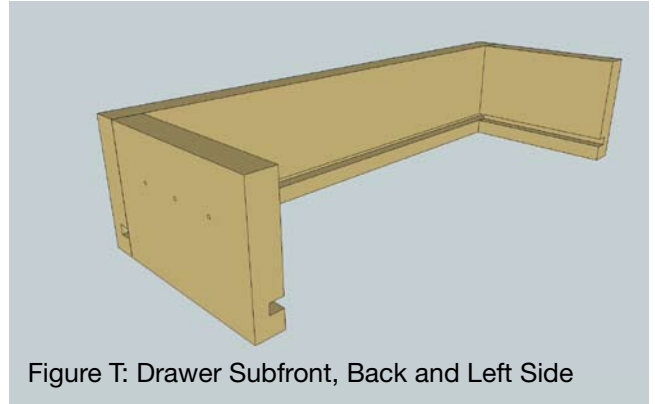


Figure T: Drawer Subfront, Back and Left Side

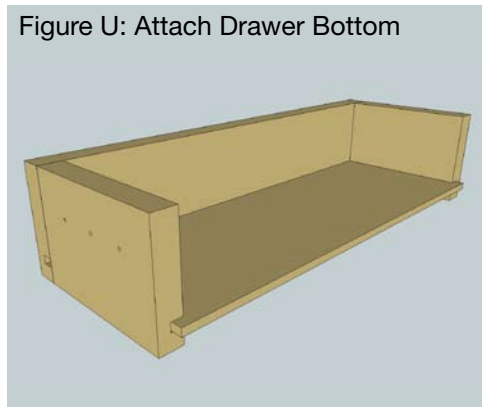


Figure U: Attach Drawer Bottom

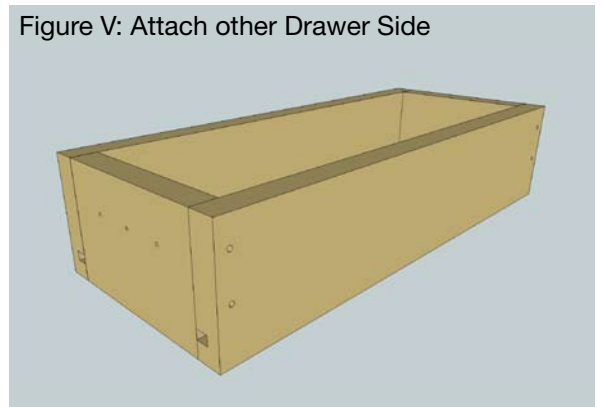


Figure V: Attach other Drawer Side

PLEASE READ AND FOLLOW ALL SAFETY PRECAUTIONS NOTED ON PAGE 15.

Columbia Forest Products is North America's largest manufacturer of hardwood plywood and hardwood veneer, a leader in sustainable forestry, and innovator of soy-based formaldehyde-free PureBond® technology.

EASY SPECIAL ORDER*: Stock items are available at most Home Depot stores. Don't see what you need on the shelves? Ask the Associates at the ProDesk for assistance to order **anything** you need: species like Cherry, Walnut, Maple or even exotics. Need a special thickness or an MDF or particleboard core? We can get it for you. **As little as 1 sheet**, shipped right to the store. (Ask the ProDesk Associate for lead times and pricing information.)

*At this time, PureBond® plywood is not stocked or offered through special order in The Home Depot stores in AZ, CO, ID, NM, NV, OR, UT, or WA.

- **Glue and screw remaining side.** See Figure V.
- **Glue and screw Drawer Front** (center left and right & align bottom edge 1/16" lower than drawer assembly). See Figure W.
- **Attach Drawer Pull.** See Figure X.

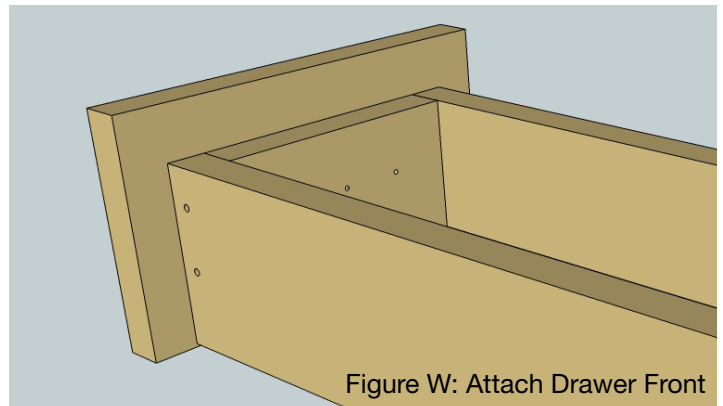


Figure W: Attach Drawer Front

- **Attach Drawer Slides.** Follow manufacturer's instructions.

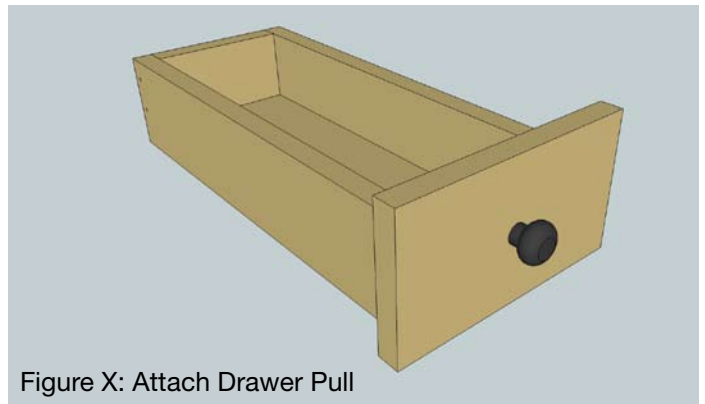


Figure X: Attach Drawer Pull

Desk and Hutch - Instructions continued

Step 8 Keyboard Tray Assembly

- **Glue and screw Front Nailer to tray top** (align front edges). See Figure Y.

Figure Y: Attach Front Nailer

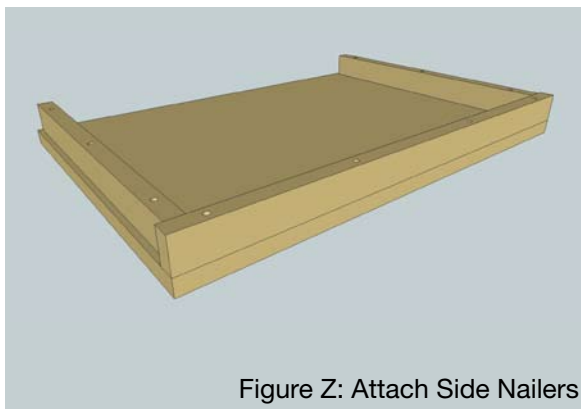
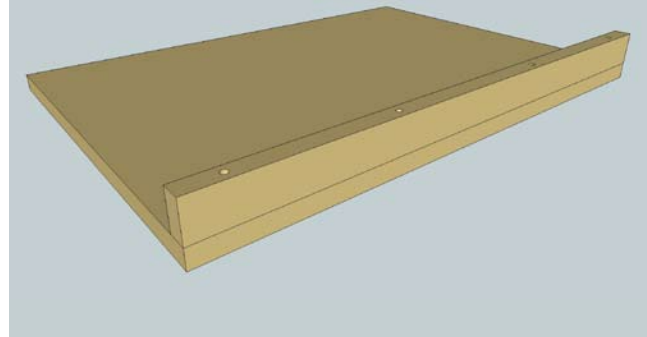


Figure Z: Attach Side Nailers

- **Glue and screw Side Nailers.** (Inset alignment is determined by spacing required for drawer slides – *follow manufacturer's instructions*). See Figure Z.

- **Attach Drawer Slides.** *Follow manufacturer's instructions.*

Step 9 Desk Assembly

- **Nail on glides on bottom of Support Panels.** See Figure AA.
- **Screw Drawer Slides parts to Side Support panels Using Drawer Assembly as a guide for placement.** *Follow manufacturer's instructions.*

Figure AA: Nail Glides to Support Panels

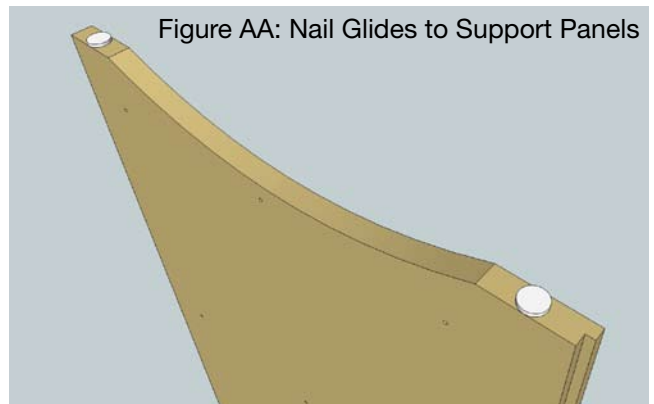


Figure AB:
Right Support
and Shelves

1. Glue and screw Desk Shelves to Right Support Panel. See Figure AB.

2. Glue and screw Center Support Panel to Assembly created in step 1. See Figure AC.

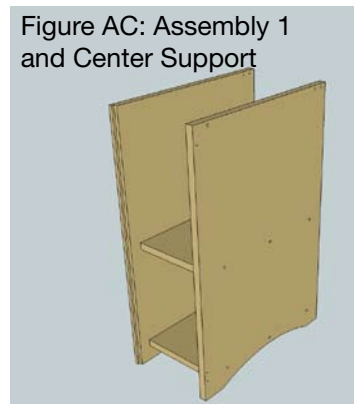


Figure AC: Assembly 1
and Center Support

PLEASE READ AND FOLLOW ALL SAFETY PRECAUTIONS NOTED ON PAGE 15.

Columbia Forest Products is North America's largest manufacturer of hardwood plywood and hardwood veneer, a leader in sustainable forestry, and innovator of soy-based formaldehyde-free PureBond[®] technology.

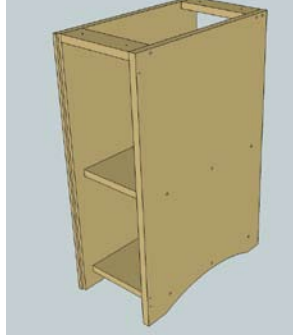
EASY SPECIAL ORDER[®]:

Stock items are available at most Home Depot stores. Don't see what you need on the shelves? Ask the Associates at the ProDesk for assistance to order **anything** you need: species like Cherry, Walnut, Maple or even exotics. Need a special thickness or an MDF or particleboard core? We can get it for you. **As little as 1 sheet**, shipped right to the store. (Ask the ProDesk Associate for lead times and pricing information.)

*At this time, PureBond[®] plywood is not stocked or offered through special order in The Home Depot stores in AZ, CO, ID, NM, NV, OR, UT, or WA.

Desk and Hutch - Instructions continued

Figure AD: Drawer Area Nailers



3. **Glue and screw Drawer Area Nailers to Shelf Assembly created in step 2.** See Figure AD.

4. **Glue and screw Seat Area Nailers to Left Support Panel.** See Figure AE.

Figure AE: Seat Area Nailers and Left Support

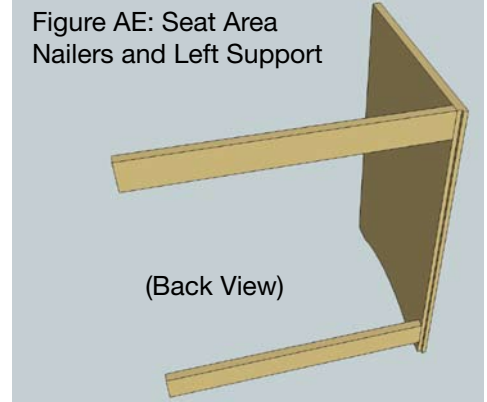
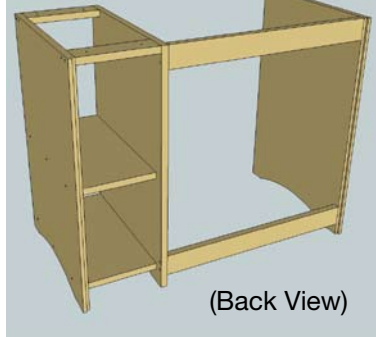


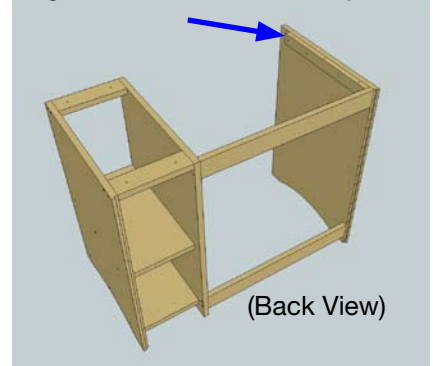
Figure AF: Connect Assemblies 3 and 4.



5. **Glue and screw Assembly created in step 4 to Assembly created in step 3.** See Figure AF.

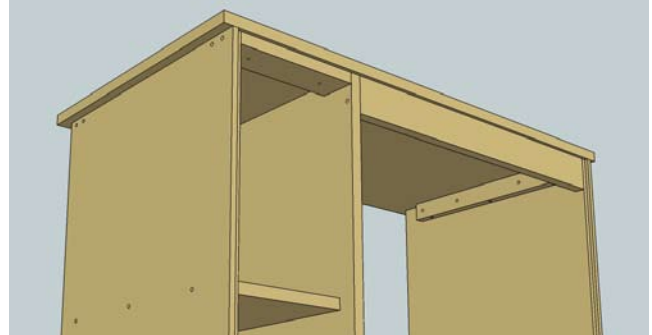
6. **Glue and screw Left Support to Top Nailer to Left Support Panel.** See Figure AG.

Figure AG: Nailer Left to Top



7. **Apply glue to all top edges and Screw top into place from beneath.** See Figure AH.

Figure AH: Attach Desk Top

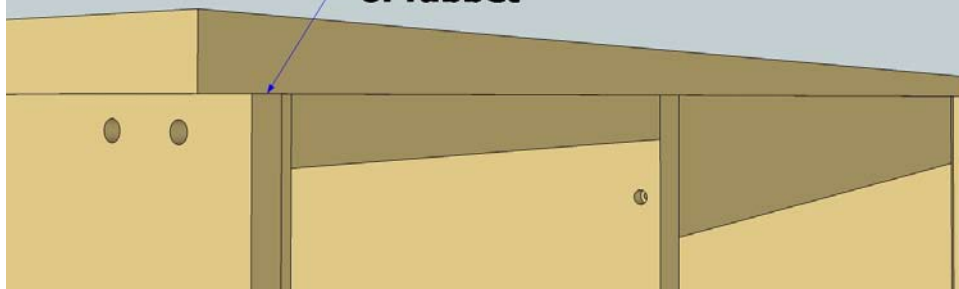


- Center Desktop left to right. Align back edges to outside edge of Rabbet. See Figure AI.

- Only screws are in Shelf Area Nailers and Left Support Nailer.

Align back edge with outside edge of rabbet

Figure AI: Top Alignment



PLEASE READ AND FOLLOW ALL SAFETY PRECAUTIONS NOTED ON PAGE 15.

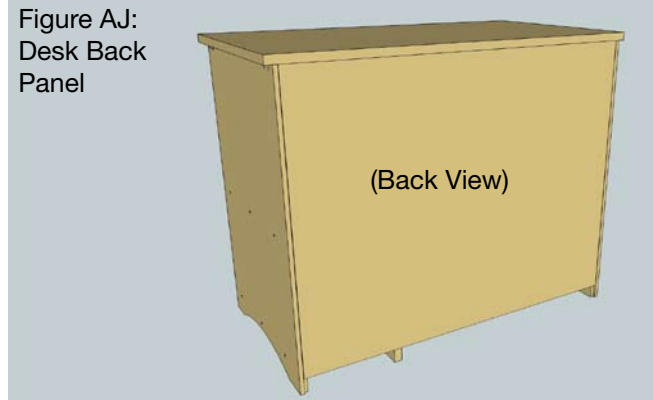
Columbia Forest Products is North America's largest manufacturer of hardwood plywood and hardwood veneer, a leader in sustainable forestry, and innovator of soy-based formaldehyde-free PureBond[®] technology.

EASY SPECIAL ORDER[®]: Stock items are available at most Home Depot stores. Don't see what you need on the shelves? Ask the Associates at the ProDesk for assistance to order **anything** you need: species like Cherry, Walnut, Maple or even exotics. Need a special thickness or an MDF or particleboard core? We can get it for you. **As little as 1 sheet**, shipped right to the store. (Ask the ProDesk Associate for lead times and pricing information.)

*At this time, PureBond[®] plywood is not stocked or offered through special order in The Home Depot stores in AZ, CO, ID, NM, NV, OR, UT, or WA.

Desk and Hutch - Instructions continued

Figure AJ:
Desk Back
Panel



8. Apply glue to all back edges and attach back panel with brads. See Figure AJ.

9. Glue and attach hardwood screw hole plugs according to manufacturer's instructions.

Step 10 Bookshelf Hutch Assembly

1. Glue and screw Shelves to Left Support Panel (note alignment of back of shelf to inside edge of rabbet). See Figure AL.

- For adjustable shelves leave out center shelf here and install later with shelf pins.

Figure AL: Shelves to Left Support

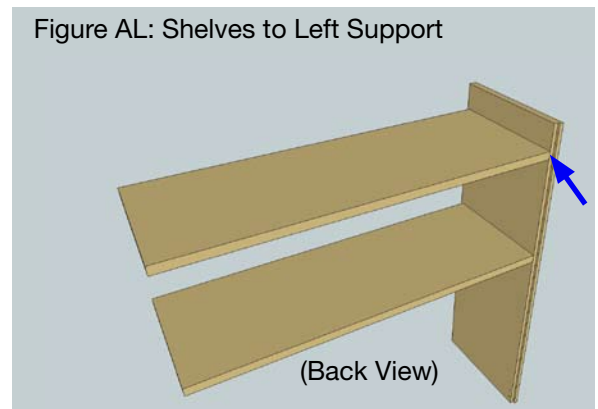


Figure AM: Right Side and Shelf Assembly

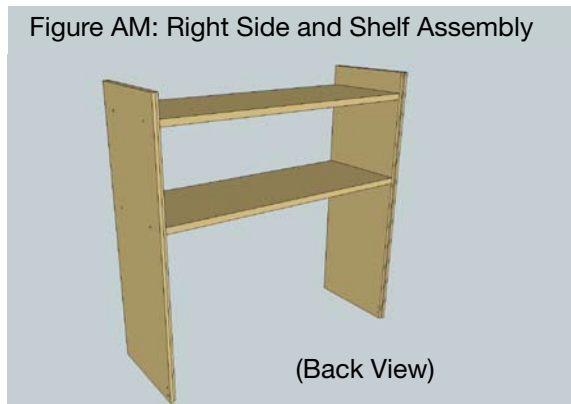


Figure AN: Attach Nailers

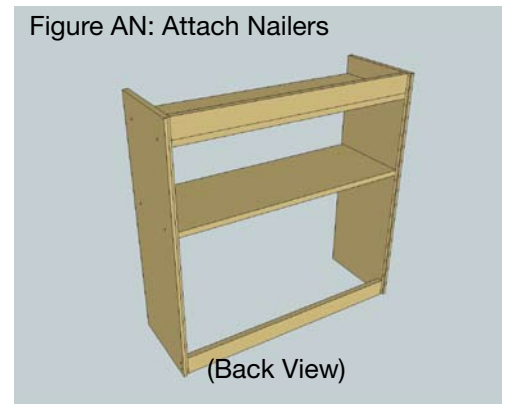
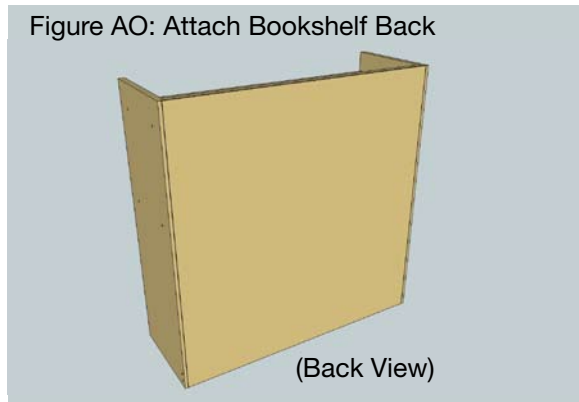


Figure AO: Attach Bookshelf Back



2. Glue and screw Right Side Panel to Assembly created in step 1 (note alignment). See Figure AM.

3. Glue and screw Nailers to assembly created in step 2 (align back to inside of rabbet). See Figure AN.

4. Apply glue to back edges of shelves, nailers and inside of rabbet and attach back panel with brads or small finishing nails. See Figure AO.

PLEASE READ AND FOLLOW ALL SAFETY PRECAUTIONS NOTED ON PAGE 15.

Columbia Forest Products is North America's largest manufacturer of hardwood plywood and hardwood veneer, a leader in sustainable forestry, and innovator of soy-based formaldehyde-free PureBond® technology.

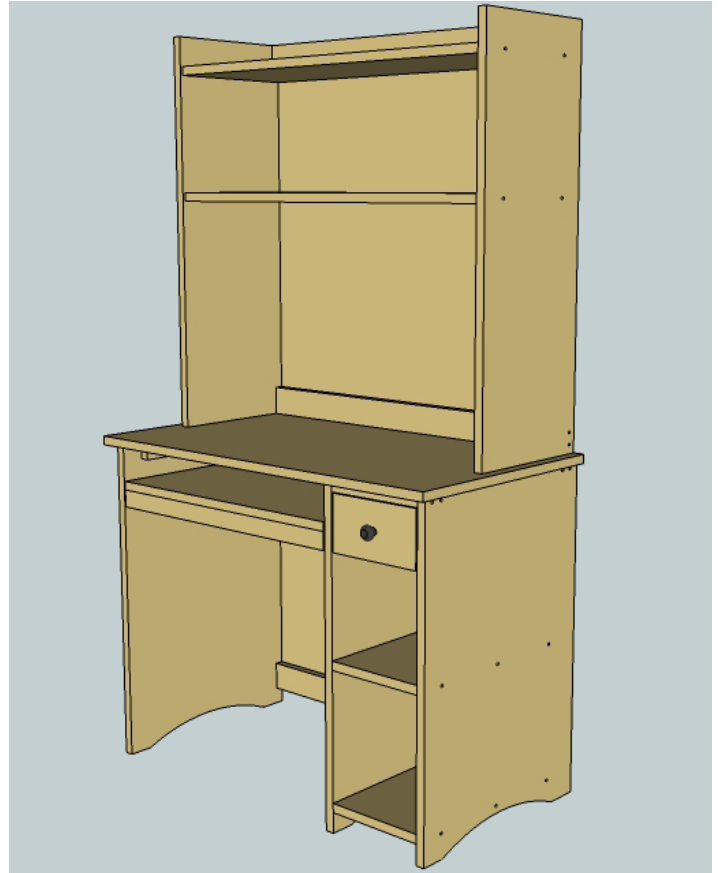
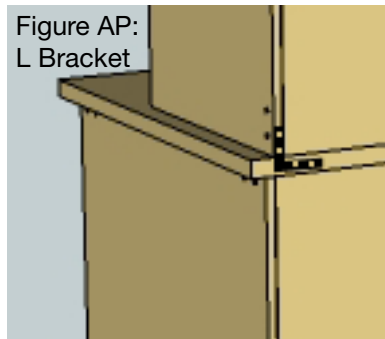
EASY SPECIAL ORDER*: Stock items are available at most Home Depot stores. Don't see what you need on the shelves? Ask the Associates at the ProDesk for assistance to order **anything** you need: species like Cherry, Walnut, Maple or even exotics. Need a special thickness or an MDF or particleboard core? We can get it for you. **As little as 1 sheet**, shipped right to the store. (Ask the ProDesk Associate for lead times and pricing information.)

*At this time, PureBond® plywood is not stocked or offered through special order in The Home Depot stores in AZ, CO, ID, NM, NV, OR, UT, or WA.

Desk and Hutch - Instructions continued

Step 11 Final Assembly

- Place hutch on desk and center, aligning back edge.
- Slide in Drawer and Key-board Tray.
- For added safety secure hutch to desk with “L” brackets at corners.



PLEASE READ AND FOLLOW ALL SAFETY PRECAUTIONS NOTED ON PAGE 15.

Columbia Forest Products is North America's largest manufacturer of hardwood plywood and hardwood veneer, a leader in sustainable forestry, and innovator of soy-based formaldehyde-free PureBond® technology.

EASY SPECIAL ORDER*: Stock items are available at most Home Depot stores. Don't see what you need on the shelves? Ask the Associates at the ProDesk for assistance to order **anything** you need: species like Cherry, Walnut, Maple or even exotics. Need a special thickness or an MDF or particleboard core? We can get it for you. **As little as 1 sheet**, shipped right to the store. (Ask the ProDesk Associate for lead times and pricing information.)

*At this time, PureBond® plywood is not stocked or offered through special order in The Home Depot stores in AZ, CO, ID, NM, NV, OR, UT, or WA.

www.cfpwood.com
800.637.1609

Safety Precautions

- Read all of the instructions and materials list before cutting or assembling this Desk and Bookshelf Hutch.
- Improper assembly could result in damage to your property, or serious injuries. Columbia Forest Products is not liable for any damage or injury resulting from the assembly or use of this Desk and Bookshelf Hutch.
- Use caution when cutting. Make sure you are using an appropriate saw and blade, and follow all safety instructions provided by the saw manufacturer.
- Make sure that all hinges and other hardware you have selected are appropriate for the weight and dimensions of this Desk and Bookshelf Hutch and its intended use. If you are unsure about whether specific hinges or other hardware are appropriate consult a professional.
- This Desk and Bookshelf Hutch is heavy. To avoid injury, two or more people should work together when assembling or moving it.

Disclaimer of Liability and Warranties

The assembly plans for this Desk and Bookshelf Hutch are complete and accurate to the best of Columbia Forest Products' knowledge, and are provided free of charge. Columbia Forest Products disclaims any and all liability for injuries or damage resulting from the assembly or use of this Desk and Bookshelf Hutch, including any consequential damages. Anyone assembling or using this Desk and Bookshelf Hutch does so at their own risk.

Columbia Forest Products makes no warranty of any kind with respect to the assembly or use of this Desk and Bookshelf Hutch, and explicitly disclaims any Implied Warranty of Merchantability and/or Implied Warranty of Fitness for a Particular Purpose.

By downloading and/or following these plans, the user acknowledges that he or she has read and followed the Assembly Instructions and Safety Precautions.

Feedback line: info@cfpwood.com

Copyright © Columbia Forest Products. All Rights Reserved.